

# ***CENTAUR***



## **CENTAUR PARTS MANUAL**

**Petrol 34 HP  
Diesel 34 HP**  
From Serial # ...12554

# Foreword

**ODG** has prepared this parts manual for the **CENTAUR** model to assist both qualified mechanics and vehicle owners in ordering correct, quality replacement genuine **CENTAUR** parts. For the most current parts manual visit our website at [www.centaur8x8.ca](http://www.centaur8x8.ca) .

Proper and regular service, and replacing old, worn or broken parts with the correct genuine **CENTAUR** replacement parts, are both essential to prolonging the life of the **CENTAUR**. Please refer to this parts manual before ordering any replacement part.

All information contained in this **CENTAUR** Parts Manual is based on the latest product specification available at time of printing. If your **CENTAUR** differs from the specifications contained in this manual, check our website [www.centaur8x8.ca](http://www.centaur8x8.ca) for the most current information.

**ODG** reserves the right to alter specifications on the **CENTAUR** model at any time, without obligation or prior notification.

Reproduction of the **CENTAUR** Parts Manual, in whole or in part, is prohibited without prior written permission from Ontario Drive & Gear Limited.

Failure to use genuine **CENTAUR** parts may void your new vehicle warranty. Alterations or additions made to the vehicle without prior written permission from **ODG** may void your warranty.

Failure in observing these guidelines may cause personal and property damage. Please read the Operator's Manual before operating this equipment.

## Model Identification

**Centaur**    - Petrol 34 HP  
                  - Diesel 34 HP  
                  Serial No. ....12554 and up

## Explanation of Parts Manual Format

Ref.            - Reference Number between Assembly Diagram and Component Parts List

Part No.      - Centaur replacement Part Number for identification and re-ordering

Description - Part Description for identification and re-ordering

Qty            - Indicates the quantity of a part used in an Assembly

# CENTAUR



## Using the Parts Manual

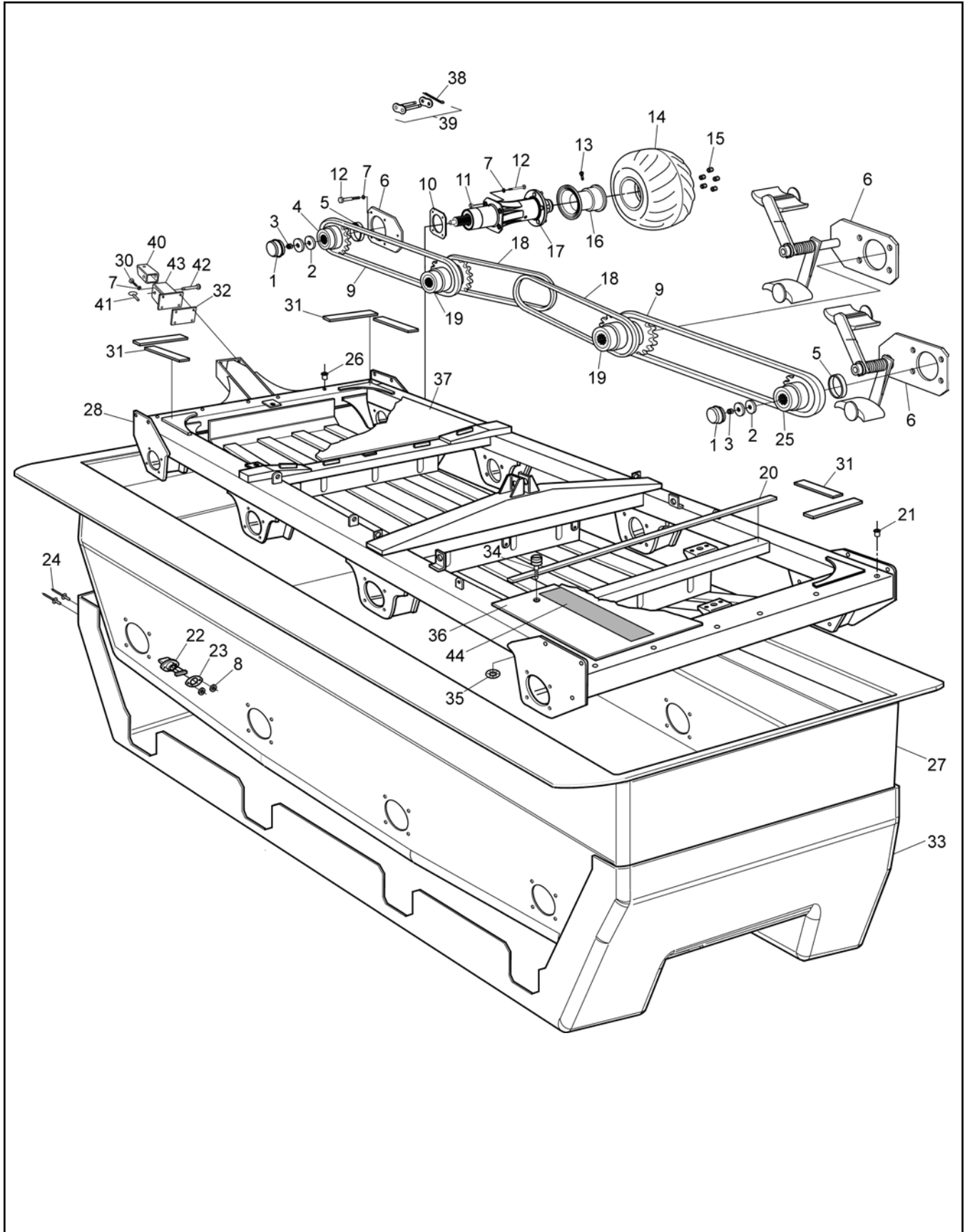
1. Find the major vehicle assembly in the Table of Contents on this page, and turn to that section.
2. Locate the part in the illustration that you wish to order.
3. Refer to the part list in that section.
4. Find the correct part number (Part No.), part description (Description) and correct quantity (Qty).
5. Use *only* this information to order genuine **CENTAUR** replacement parts. **DO NOT** attempt to order a replacement part by item number or page number.

## Table of Contents

Foreword .....	i
Model Identification.....	i
Using the Parts Manual .....	ii
1.0 Frame & Body .....	1
2.0 Chain Tensioners .....	3
3.0 Axle Assembly.....	5
4.0 Shift Box.....	6
5.0 Upper Frame .....	7
6.0 ROPS .....	9
7.0 Engine Cover & Firewall .....	11
8.0 Seat & Fuel Tank.....	13
9.1 Power Pack Engine 34G.....	15
9.2 Power Pack Engine 34DT .....	17
10.0 Power Pack Transmission.....	19
11.0 Clutch System.....	21
12.0 Dash.....	22
13.0 Brake System.....	23
14.0 Transmission.....	25
15.0 Steering.....	27
16.0 Auto Lube System.....	29
17.0 Electrical .....	31
18.0 Accessories.....	35

# 1.0 Frame and Body

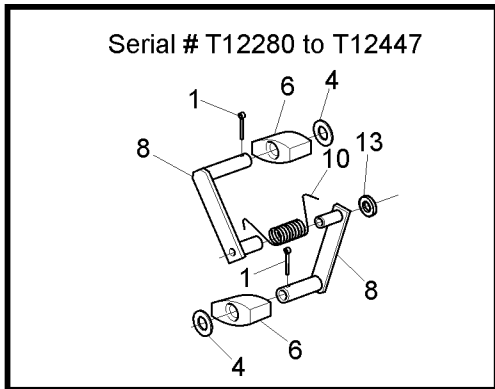
# Centaur Parts Manual



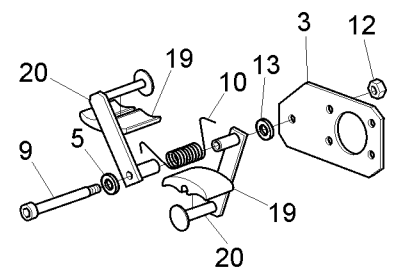
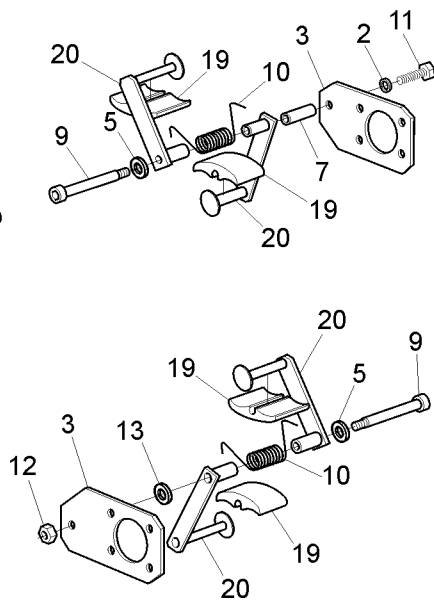
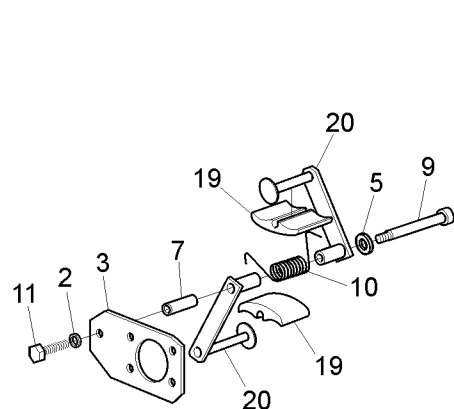
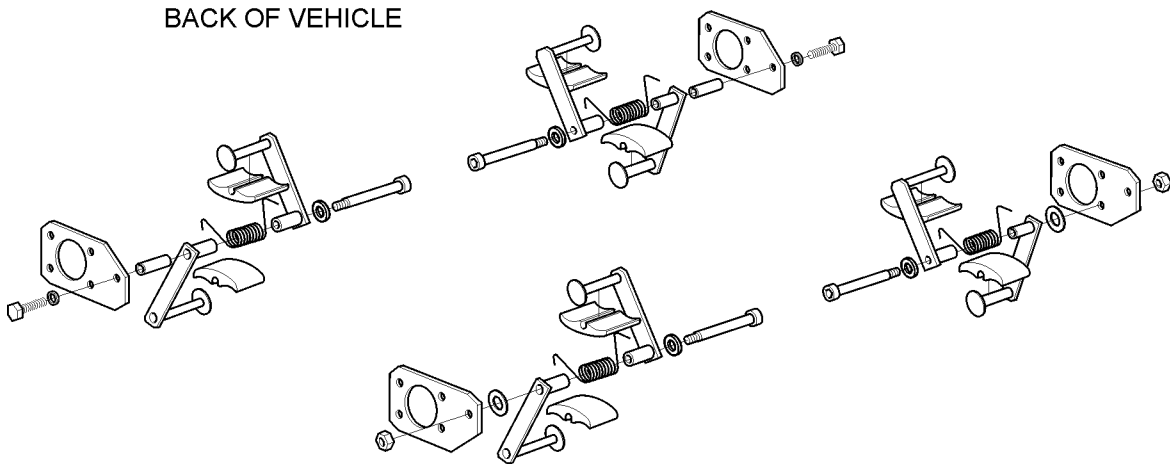
Ref.	Qty.	Part #	Description
1	8	805-120	Cap, Bearing Dust - 2.0 Plated
2	16	108-40	Washer .68 x 1.77 x .16 Zn
3	8	117-72	Locknut, Nylon - M16 x 1,5 Zn
4	2	805-126	Sprocket Asm, Rear -S80 x 18T
5	8	805-108	Bushing, 1.97 Od, 1.82 Id x .46
6			<b>See Section 2.0 Chain Tensioners</b>
7	68	108-67	Lockwasher M10 Split Ring Zn
8	2	120-04	Washer .19 x .50 x .08 Zn
9	4	805-128	Chain RC80-1 x 72P - Front/rear
10	8	805-121	Gasket, Flange
11	32	805-114	Bushing .75 x .58 x .25 Zn
12	64	112-133	HHCS M10 x 1,5 x 35mm Zn
13	8	125-26	Valve, Tire
14	4	127-180	Tire, Heat 25 x 12-9 AT190 - L
	4	127-181	Tire, Heat 25 x 12-9 AT190 - R
15	40	117-74	Nut, Wheel M12 x 1,25 Zn
16	8	127-61	Rim - 10 x 9 -Specify colour
17	8	805-133	Axle Asm, Centaur
18	4	805-129	Chain RC80-1 x 45P - Mid
19	4	805-125	Sprocket Asm, Mid - S80 x 2 x 18T
20		126-60	Vinyl Strip 1/2" x 1/4"
21	6	117-70	Insert, M10 x 1.5-13.5mm OD
22	2	100-107	Plug, Drain - Flanged
23	2	100-114	Gasket, Drain Plug
24	2	120-09	Rivet 3/16 x 1 - Black
25	2	805-124	Sprocket Asm, Front - S80 x 18T
26	9	117-69	Insert, M8 x 1.25-13.5mm OD
27	1	801-123	Body, Lower - Centaur
28	1	806-210	Frame Asm, Centaur
29		805-130	Link, Half - RC80-1
30	4	112-92	HHCS M10 x 1,5 x 40mm Zn
31	1	127-123	Rubber Strip, 1/4 x 1 x 9ft.
32	1	616-20	Gasket, Rear Hitch
33	1	801-123SKD	Skid Plate - Centaur
34	5	112-136	Screw, Fast Lead - Knurled
35	5	127-120	Retainer, Fast Lead Screw - Large
36	1	806-217	Floor Plate, Front - Flat
37	1	806-216	Floor Plate, Rear - Flat
38		100-116	Pin, Cotter - .09 x .63
39		805-131	Link, Con. RC80-1
40	1	616-19	Tube, Hitch
41	1	104-11	Pin, Lynch
42	1	104-13	Pin, Top Link
43	1	616-16	Hitch Draw Bar Assembly
44	6ft	127-183RM	Tape, Non-Slip - 4 Wd
45	8	112-93	HHCS M10 x 1,5 x 25mm

# 2.0 Chain Tensioners

# Centaur Parts Manual



BACK OF VEHICLE

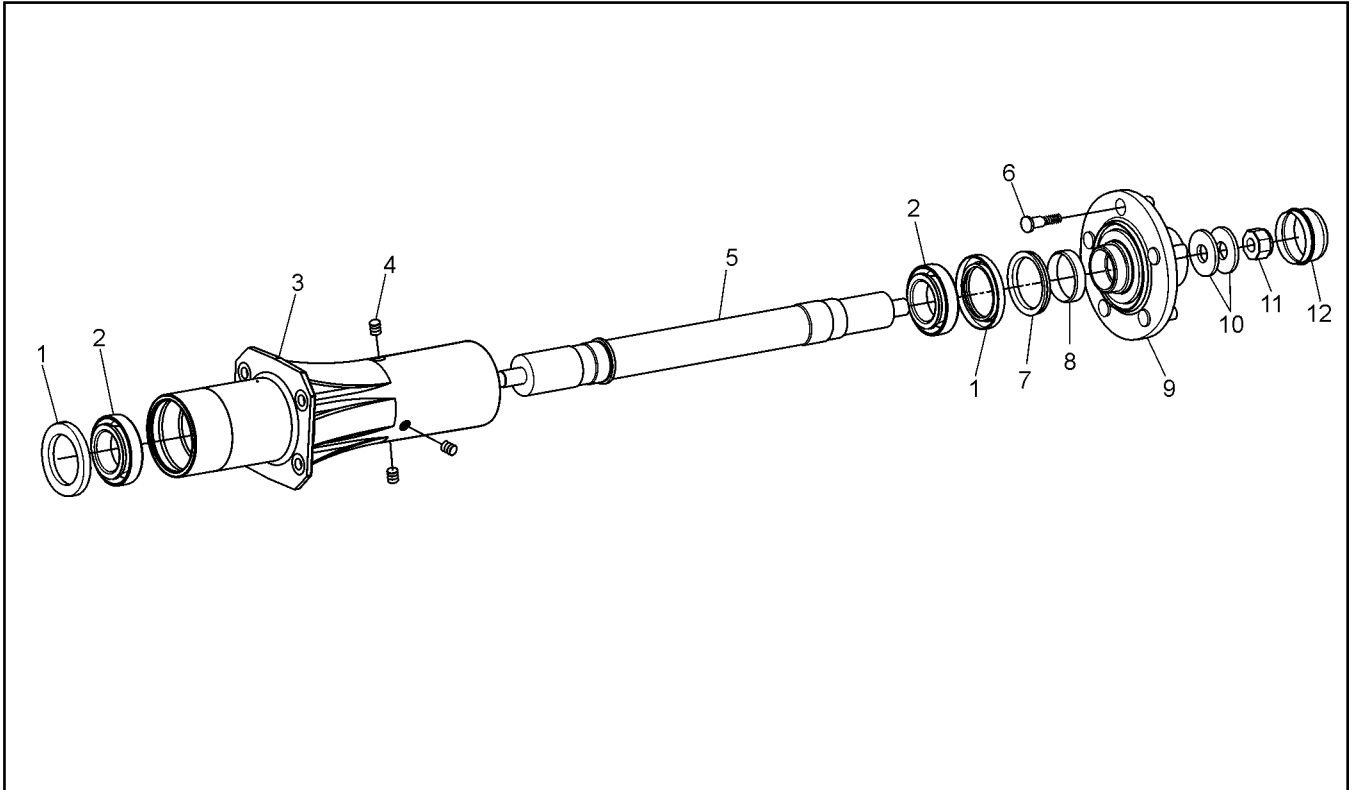


FRONT OF VEHICLE

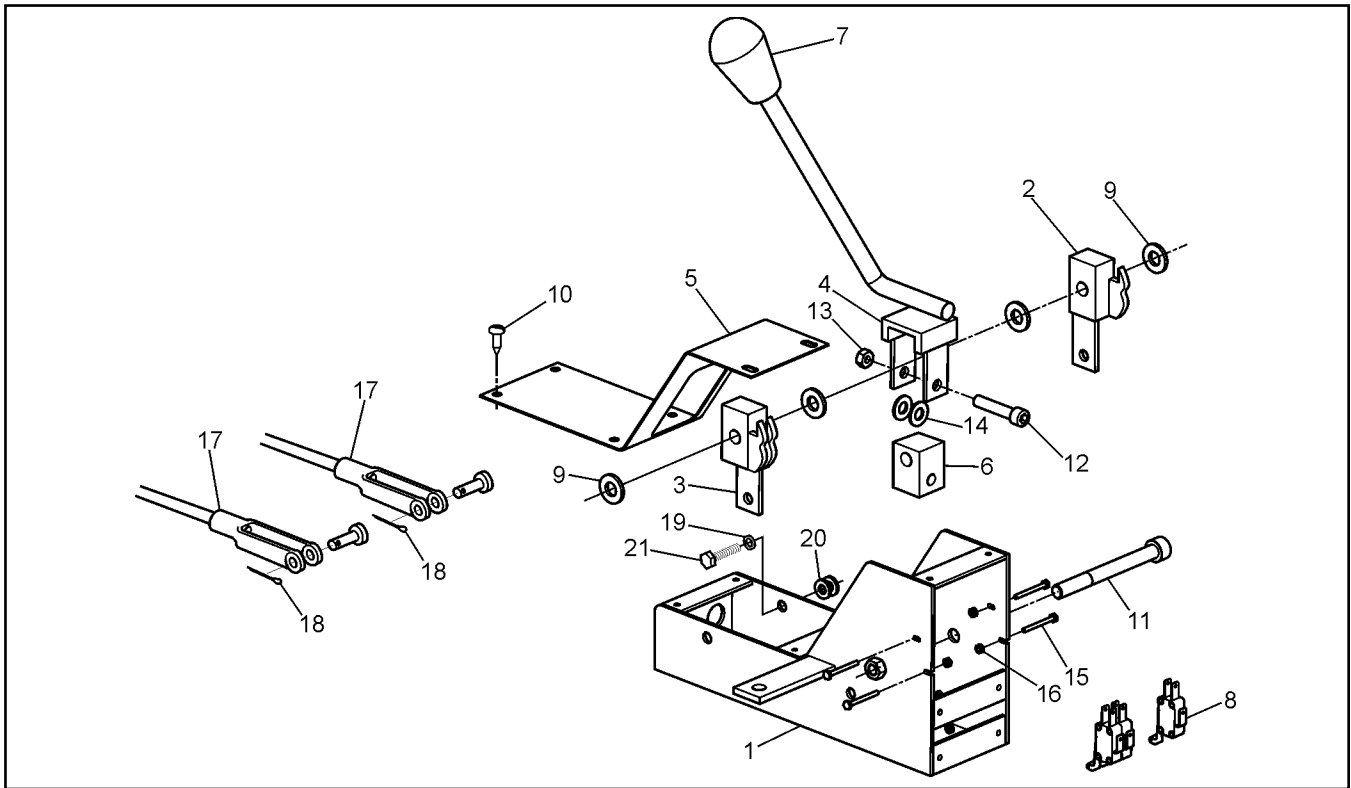
Ref.	Qty.	Part #	Description
1	16	100-105	Pin, Cotter 3/16 x 1.75" Zn
2	4	108-67	Lockwasher M10 Split Ring Zn
3	8	806-126	Flange
4	16	108-72	Washer, 0.938 x 1.75 x 0.125" Zn
5	8	108-34	Washer .47 x .94 x .06 Zn
6	16	606-40	Slider Block -7/8" Shaft
7	4	806-215	Spacer, Tapped
8	16	806-211	Pivot Arm Asm
9	8	112-158	Bolt, Shoulder, 12mm x 70mm Lg
10	8	128-16	Spring, Torsion - Cent. Chain
11	4	112-93	HHCS M10 x 1,5 x 25mm
12	4	117-60	Locknut, Nyloc M10 x 1.5mm Zn 8
13	4	108-15	Washer .42 x .81 x .05 Zn
14	8	117-62	Nut, Hex M10 x 1,5 Zn
15	2	806-187	Plate, Chain Tensioner
16	8	806-188	Rod, Tensioner
17	8	806-186	Spindle, Chain Adjuster
18	6	806-201	Plate, Chain Tensioner - 3.25"
19	16	606-44	Slider Block - UHMW
20	16	806-234	Arm, Pivot (1/2 in.) Ass'y

### 3.0 Axle Assembly

### Centaur Parts Manual



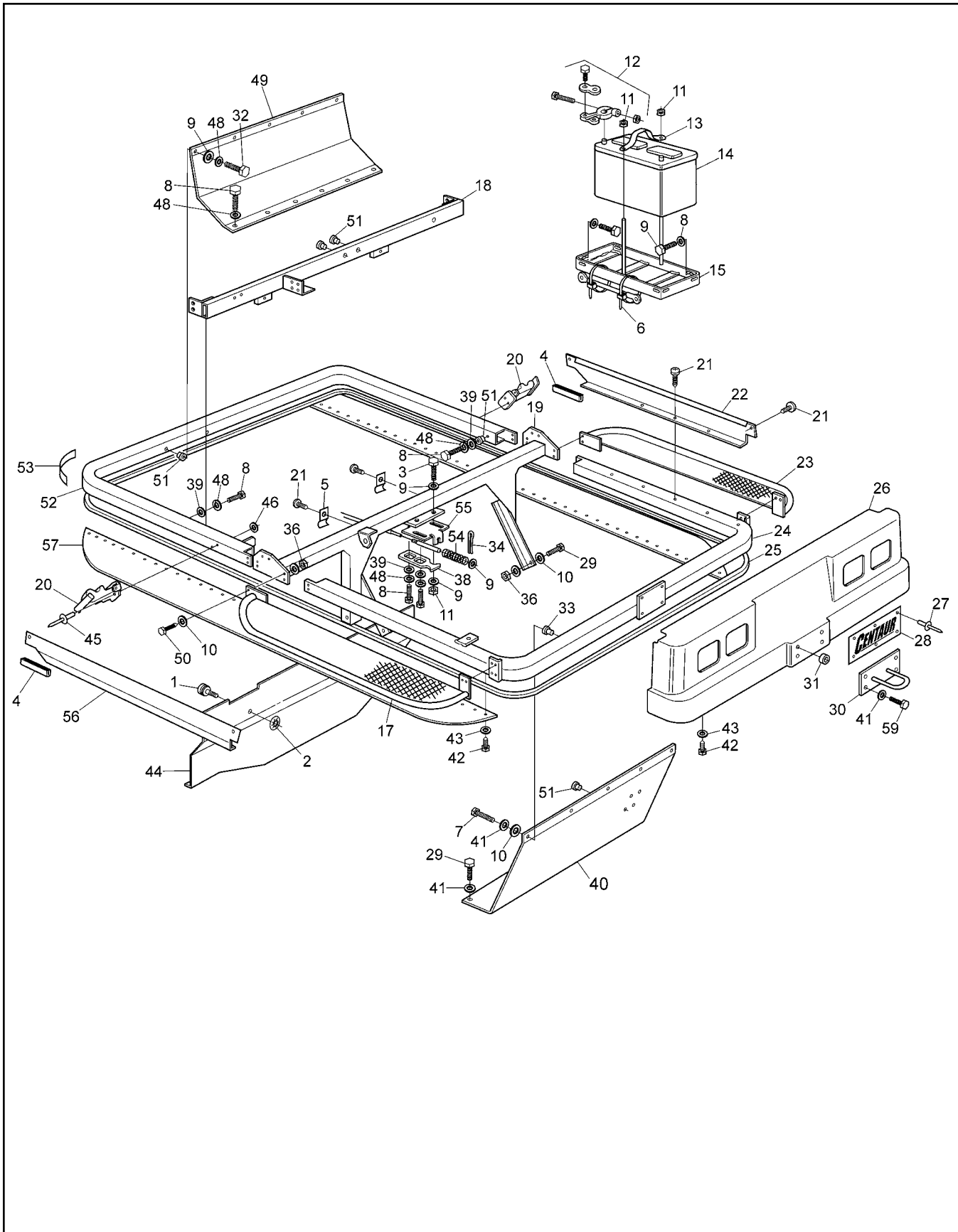
Ref.	Qty.	Part #	Description
1	2	102-27	Seal, Oil 50x72x8 Dbl Lip
2	2	101-76	Bearing, Tapered Roller 32008X
3	1	805-132	Housing Asm, Axle
4	3	127-85	Plug, Drain - M10 x 1,0
5	1	805-106	Axle -17T Spline
6	5	112-81	Stud, Wheel - M12 x 1,25R Zn
7	1	102-28	Seal, Oil V-ring 50mm
8	1	805-108	Bushing, 1.97 Od, 1.82 Id x .46
9	1	805-107	Hub, Wheel
10	2	108-40	Washer .68x1.77x.16 Zn
11	1	117-72	Locknut, Nylon - M16 x 1,5 Zn
12	1	805-120	Cap, Bearing Dust - 2.0 Plated



Ref.	Qty.	Part #	Description
1	1	809-199	Shift Box Assembly - Slotted (spec. colour)
2	1	809-197	Shift Block Assembly - 1 Cam
3	1	809-198	Shift Block Assembly - 2 Cams
4	1	809-177	Shift Yoke Assembly
5	1	809-200	Gate, Shift (spec. colour)
6	1	809-182	Knuckle - Shift Lever
7	1	126-38	Knob, Shift
8	3	809-202	Switch, Limit - Two Pole (if equipped)
9	4	108-69	Washer, Nylon .413 x .83 x .098"
10	6	112-102	Screw, Self-Drilling 12-14 x 3/4" Zn
11	1	112-123	Screw, Shoulder M10 x 80mm
12	1	112-129	Screw, Shoulder 5/16 x 1.5" Lg
13	1	117-27	Locknut, Nylon 1/4-20 Zn
14	2	108-70	Washer, Nylon .34 x .69 x .062"
15	4	112-126	HHCS, M3 x 0.50 x 30mm Zn
16	4	117-78	Locknut, Nylon - M3 x 0.5" Zn
17	2	809-186	Clevis, 5/16-24 THD
18	2	100-03	Pin, Cotter 3/32 x .750 Zn
19	2	108-05	Lockwasher, 5/16" Split Ring
20	4	108-47	Washer .39 x .94 x .13 Zn
21	2	112-20	HHCS M8 x 1,25 x 25mm Zn

# 5.0 Upper Frame

# Centaur Parts Manual



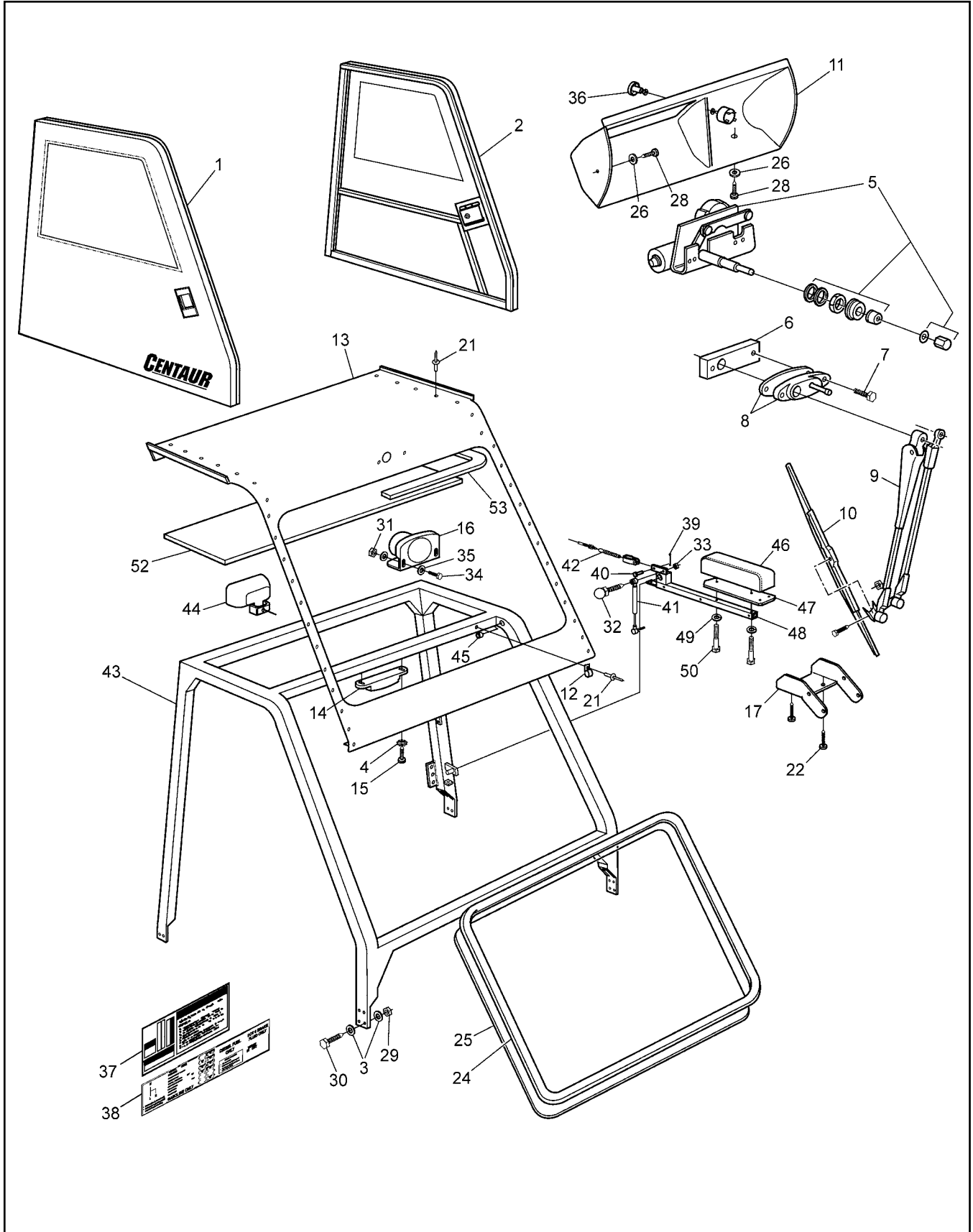
# Centaur Parts Manual

# 5.0 Upper Frame

Ref.	Qty.	Part #	Description	Ref.	Qty.	Part #	Description
1	2	112-136	Screw, Fast Lead-Knurled	42	95	112-125	Screw, Self Drilling 12-14x1.5" Zn
2	2	127-120	Retainer, Fast Lead Screw	43	94	108-08	Washer .28x.62x.04 Zn
3	2	112-111	HHCS, M8x1,25x20 Zn	44	1	809-231	Cover, Transmission - Rear
4	12"	601-107RM	Trim, Neoprene	45	6	120-09	Rivet - 3/16 x 1.0 Black
5	2	127-92	Clip, Brake Line	46	4	120-04	Washer, .19x.5x.08 Zn
6	2	100-102	Tie Wrap, 14"	48	22	108-05	Lockwasher, 5/16" Split Rg
7	11	112-133	HHCS M10x1,5x35mmZn	49	1	806-155	Floor Plate, Rear - Bent
8	14	112-20	HHCS M8x1,25x25mm Zn	50	8	112-133	HHCS M10x1,5x35mm Zn
9	31	108-24	Washer .34x.70x.06 Zn	51	26	117-69	Insert, M8x1.25-13.5mm OD
10	35	108-15	Washer .42x81x.05 Zn	52	1	806-142	Upper Frame - Back Ass'y (spec. colour)
11	7	117-77	Locknut, Nylon M8x1,25 Zn	53	3 ft	613-82	Reflective Tape - Red/ White 1" wide
12	2	127-56	Terminal, Battery Post	54	1	127-48	Spring, Compression .54x1.9
13	1	806-169	Bracket, Battery Retaining	55	1	809-205	Plate, Lock Pin Slide
14	1	613-101	Battery, Exide 31 (Diesel)	56	1	801-106	Panel, Side-Splash Guard- R (spec. colour)
15	1	806-166	Bracket Assembly	57	2	801-124	Mud Flap, Centaur
16	10	108-47	Washer, .39x.94x.13 Zn				
17	1	801-159R	Step Ass'y - Right				
18	1	806-225	Support, Engine Cover (spec. colour)				
19	1	806-143	Upper Frame-Cross Brace Assembly (spec. colour)				
20	2	127-87	Latch, Flexible Draw				
21	40	112-102	Screw, Self Drilling 12-14 x 3/4" Zn				
22	1	801-112	Panel, Side-Splash Guard - L (spec. colour)				
23	2	801-159L	Step Ass'y - Left				
24	1	806-237	Upper Frame - Front Asm 2009 (spec. colour)				
25	1	126-60	Vinyl Strip 1/2"x1/4"x37.5'				
26	1	801-107	Bumper, front				
27	6	120-24	Rivet, Alum - 3/32x3/8 Black				
28	1	801-120	Nameplate, Centaur				
29	23	112-93	HHCS M10x1,5x25 Zn				
30	1	801-109	Tow hook				
31	4	805-114	Bushing, .75 x .083 x .25				
32	11	112-120	HHCS M10x1,5x80mm Zn				
33	5	117-70	Insert, M10x1.5-13.5mm OD				
34	1	104-29	Pin, Cotter 1/16 x 3/4" Zn				
36	12	117-60	Locknut, Nyloc M10x1.5mm Zn				
38	1	809-122	Bracket, Steering - Spring Ret				
39	11	108-12	Washer, .34x1.00x.06 Zn				
40	1	806-153	Floor Plate, Front - Bent				
41	15	108-67	Lockwasher M10 Split Ring Zn				

# 6.0 ROPS

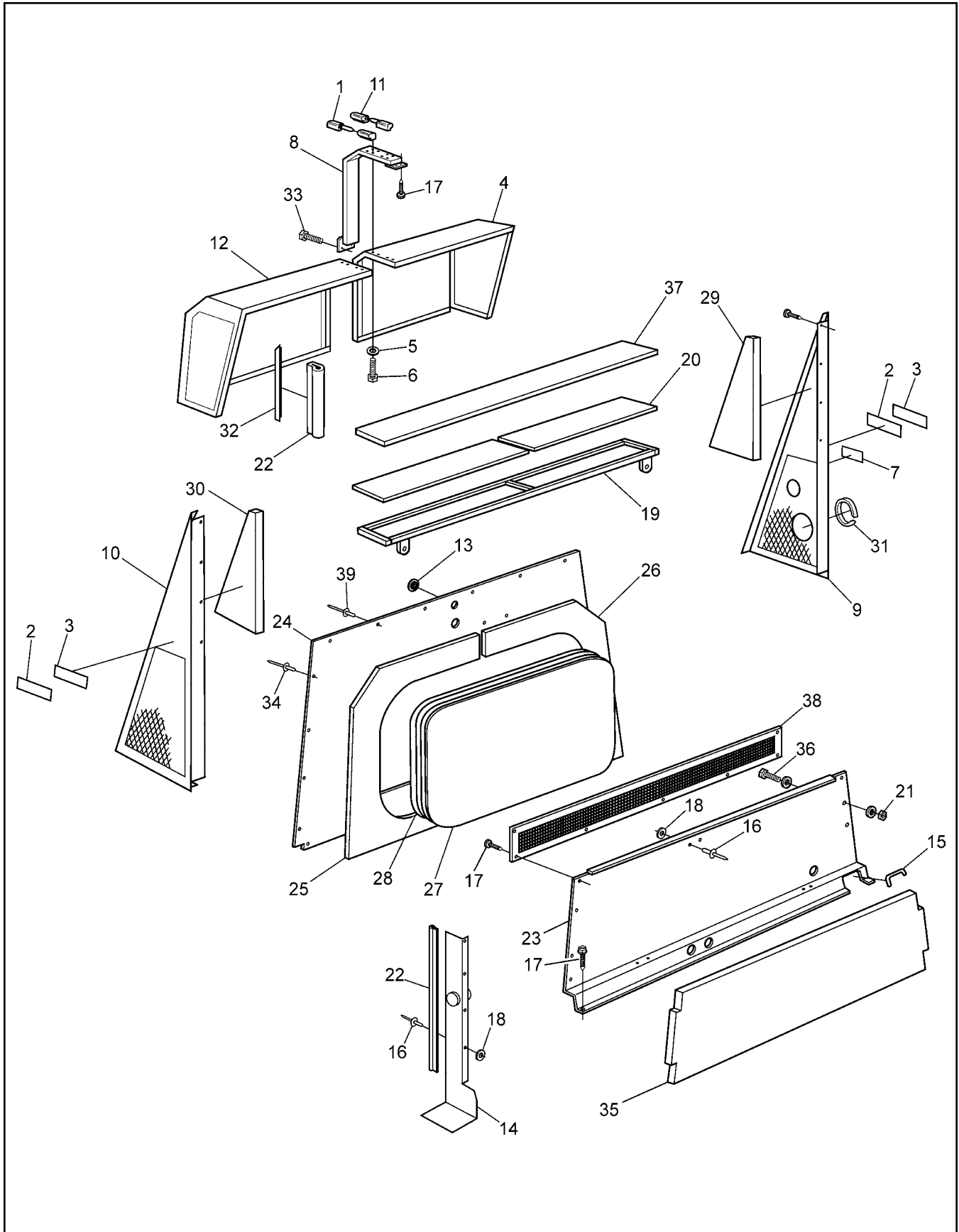
# Centaur Parts Manual



# Centaur Parts Manual

# 6.0 ROPS

Ref.	Qty.	Part #	Description	Ref.	Qty.	Part #	Description
1	1	849-171	Door Asm, Centaur - Right (See pg. 48 for details)	35	4	108-08	Washer .28 x .62 x .07 Zn
2	1	849-170	Door Asm, Centaur - Left (See pg. 48 for details)	36			<b>See Section 17.0 Electrical</b>
3	16	108-15	Washer .42 x 81 x .05 Zn	37	1	801-138	Labels, Warning-Centaur
4	2	108-77	Lockwasher #8 Ext. Tooth Zn	38	1	801-137	Labels, Info-Centaur
5	1	849-102	Wiper Motor	39	1	100-100	Pin, Cotter 1/8 x 3/4 Zn
6	1	849-103	Spacer, Wiper Assembly	40	1	104-27	Pin, Clevis 5/16 x .75" Zn
7	2	112-121	HHCS 1/4-28x1 1/4 Zn	41	1	809-210	Spring, Gas - 2" - 60lbs. NSE200A60
8	1	849-106	Pantograph Kit	42	1	809-206	Cable, Steering, Lock
9	1	849-104	20" Wiper Arm	43	1	806-130	ROPS, Assembly (spec. colour)
10	1	849-105	20" Wiper Blade	44	1	613-81	Light, Rear Cargo
11	1	801-154	Console, Upper	45	1	127-96	Bushing, Snap-In
12	2	126-93	Clamp, Nylon Wire-1/2" ID	46	1	809-207	Cushion, Arm Rest
13	1	801-184RM	Roof, Centaur - One Piece - RM (spec. colour)	47	1	809-218	Cover Plate, Cushion
14	1	613-105	Light, Cab - Switched	48	1	809-216	Arm Rest Assembly
15	2	112-124	T/S Pan Hd Phil #6x1.25 Zn	49	2	108-03	Lockwasher, 1/4" Split Ring Zn
16	1	848-126	Alarm, Back-up	50	2	112-98	HHCS, M6x1x40mm Zn
17	2	801-186RM	Bracket, Armrest Switch - RM	52	1	801-128	Insulation, Sound-Roof
18	6	120-11	Rivet - 5/32 x 9/16" Black	53	20ft	126-60	Vinyl Strip 1/2" x 1/4"
19	4	108-01	Washer, Fender 1/4 x 1.25				
21	77	120-13	Rivet - 3/16 x 3/4 Black				
22	4	112-102	Screw, Self-Drilling 12-14 x 3/4" Zn				
23	30	120-04	Washer, .19x.5x.08 Zn				
24	1	801-101	Seal, Windshield				
25	1	801-100	Windshield				
26	2	108-42	Washer .21 x 1.0 x .06 Zn				
27	1	106-07	Retaining Ring SH-0075-Pa				
28	9	112-110	Screw-Self Drilling 12-14x1"				
29	8	117-60	Locknut, Nyloc M10x1,5 Zn				
30	8	112-93	HHCS M10x1,5x25 Zn				
31	2	112-115	Locknut, Nylon M6 x 1 Zn				
32	2	809-211	Ball Stud - 39" Ballx5/16-18 Zn				
33	14	117-77	Locknut, Nylon M8 x 1,25 Zn				
34	2	112-97	HHCS M6x1,0 x 25mm Zn				



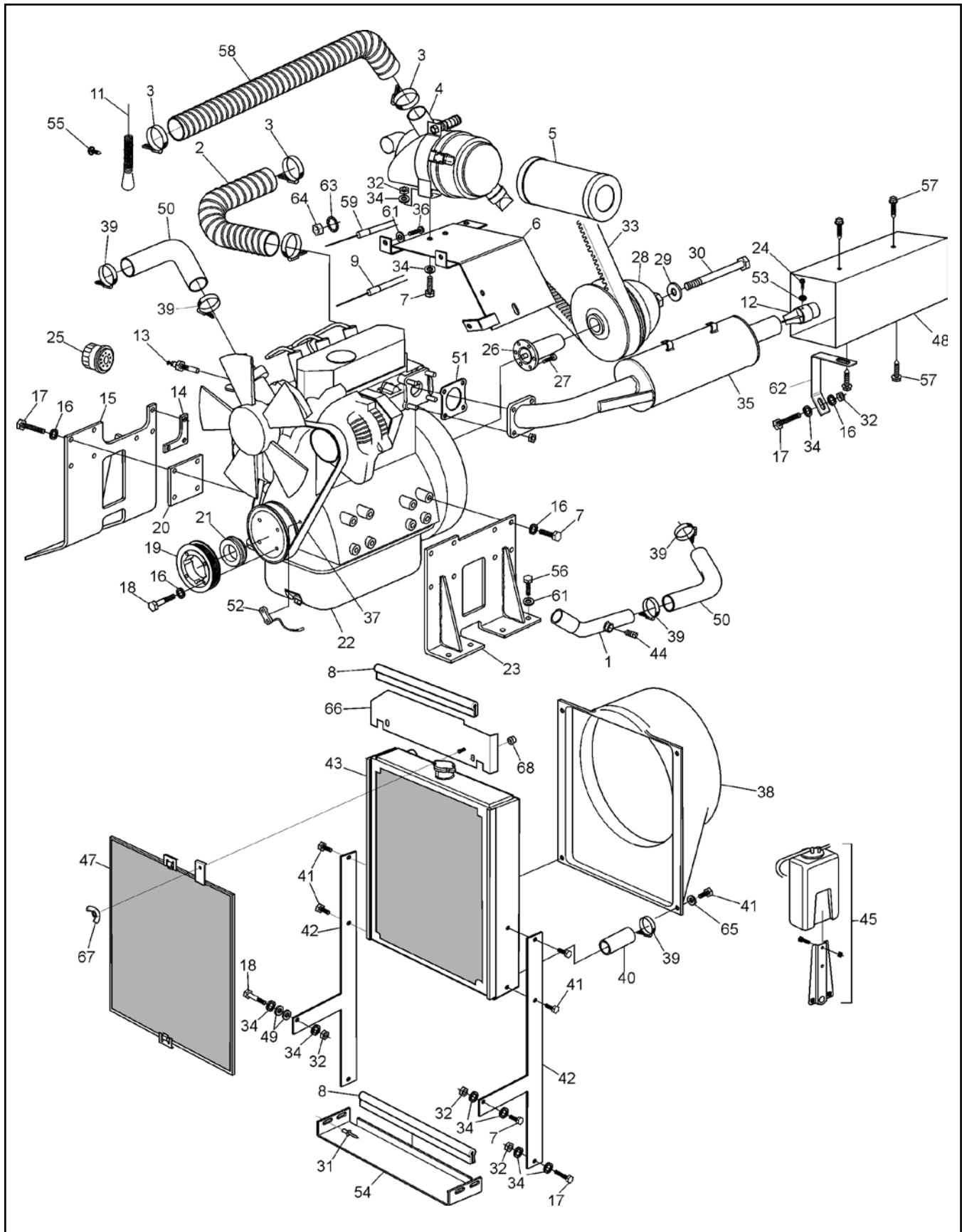
Ref.	Qty.	Part #	Description
1	2	127-88L	Hinge, Engine Cover - L
2	2	801-121	Decal, Centaur 950 (Gas)
3	2	801-143	Decal, Centaur 950DT (Turbo Diesel)
4	1	801-174L	Engine Cover Ass'y Left (spec. colour)
5	8	108-03	Lockwasher 1/4 Split Ring Zn
6	8	112-176	HHCS M6 x 1 x 30mm Zn
7	1	127-144	Label, Warning - HOT
8	1	806-219	Center Brace Ass'y
9	1	801-169	Panel, Side - Left
10	1	801-170	Panel, Side - Right
11	2	127-88R	Hinge, Engine Cover - R
12	1	801-174R	Engine Cover Ass'y - R (spec. colour)
13	1	128-04	Grommet, Rubber - 3/8" I.D.
14	1	801-180	Baffle, Rad - Firewall
15	2	601-93	Trim, Vinyl - 4"
16	37	120-13	Rivet - 3/16 x 3/4 Black
17	78	112-102	Screw, Self-Drilling 12-14 x 3/4" Zn
18	30	120-04	Washer, .19 x .5 x .08 Zn
19	1	801-171	Support, Rear Tray
20	2	801-179	Tray, Rear - Centaur
21	14	117-77	Locknut, Nylon M8 x 1,25 Zn
22	to length	809-167RM	Seal, Radiator
23	1	801-165	Firewall (spec. colour)
24	1	801-166	Panel, Rear Window (spec. colour)
25	1	801-156	Insulation, Sound-Wind-L
26	1	801-157	Insulation, Sound-Wind-R
27	1	801-131	Window, Rear
28	7ft.	801-101RM	Seal, Windshield, approx. 7ft.
29	1	801-177	Insulation, Sound - L Side
30	1	801-178	Insulation, Sound - R Side
31	1	801-142	Trim, Vinyl - 15.5" Centaur
32	1	809-240	Baffle, Split Eng. Cov. Back
33	16	112-20	HHCS M8x1,25x25mm Zn
34	6	120-11	Rivet - 5/32 x 9/16" Black
35	1	801-176	Insulation, Sound-Firewall
36	12	112-111	HHCS M8x1,25x20 (8.8) Zn
37	1	801-181	Insulation, Sound - Rear Tray
38	1	100-117	Mesh, Glove Box - Centaur
39	6	120-14	Rivet - 3/16 x 5/8 Black



Ref.	Qty.	Part #	Description
1	2	112-97	HHCS M6 x 1 x 25mm Zn
2	19	108-03	Lockwasher, 1/4" Split Ring Zn
3	7	108-26	Washer .43 x 1.02 x .09 Zn
4	3	117-60	Locknut, Nylon M10 x 1,5 Zn
5	11	112-20	HHCS M8 x 1,25 x 25mm Zn
6	34	108-24	Washer .34 x .70 x .06 Zn
7	15	117-77	Locknut, Nylon M8 x 1,25 Zn
8	1	808-134	Cover, Steering Linkage
9	1	808-125	Tool Box
10	3	112-78	Clamp, Hose - 9/16" Black, DT Only
11	5	112-79	Clamp, Hose -1/2" Black
12	2*	608-85RM	Pickup, Fuel, 1/4" x 12.92" (* Only 1 for Gas)
13		608-68	Hose, Fuel 1/4" ID x 10', Bio-Diesel
14	1	808-123	Plug, 1/4" NPT Nylon (Gas Only)
15	1	119-105	Sender, Fuel -Swing Arm
16	5	112-95	HHCS M5 x 0.8 x 10mm
17	1	808-128	Seat Support Assembly - R
18	2	112-21	HHCS M8x1,25 x 60mm Zn
19	2	808-108	Bracket, Fuel Tank - Bottom
20	1	801-129	Insulation, Sound - Lower Baffle
21	1	801-158	Baffle, Lower
22	2	117-69	Insert, M8 x 1.25 x 13.5 mm OD
23	2	112-115	Locknut, Nylon M6 x 1 Zn
24	1	808-105	Bracket Asm -Fuel Tank
25	4	112-101	HHCS M8 x 1,25 x 45mm Zn
26	12	702-06	Foam Cushion
27	1	808-109SA	Fuel Tank
28	1	808-129	Seat Support Assembly -L, Welded
29	1	125-64	Filter, Fuel -Gas (Gas Only)
30	1	825232	Pump, Fuel - Gas Centaur
31	4	100-12	Clamp, Gear 2.25" HF-36
32	2	125-94	Hose, Filler
33	1	810-87	Tube, Bent- 2" OD
34	1	806-171	Bracket, Fuel Tube
35	1	808-122	Neck Asm, Fuel
36	1	126-46	Cap, Fuel
37	1	126-49RM	Hose, Vent 1/4 OD x 1/8 ID
38	8	126-94	Clamp, Nylon Wire - 1/4" ID
39	8	120-04	Washer, .19 x .5 x .08 Zn
40	8	120-13	Rivet - 3/16 x 3/4" Black
41	12	112-102	Screw, Self Drilling 12-14 x 3/4" Zn
42	2	639-25	Plug, End - Black
43	17	112-98	HHCS M6 x 1 x 40mm Zn
44	1	808-112	Seat Frame Assembly
45	2	848-56	Seat Belt Assembly c/w Label
46	1	808-119	Seat Cushion -Bottom
47	3	112-120	HHCS, M10x1,5 x 80mm Zn
48	1	808-118	Seat Cushion -Back
49	1	825219	Filter Asy, Diesel Fuel -B&SD
50	1	820311	Filter Element, Diesel Centaur
51	1	100-101	Clamp, Gear 1/2" HF-4
52	1	809-145	Spacer, Buttite .375 x .625 x .048
53	2	108-05	Lockwasher, 5/16" Split Ring
54	2	108-12	Washer .34 x 1.00 x .06 Zn
55	5	112-136	Screw, Fast Lead - Knurled
56	5	127-120	Retainer, Fast Lead Screw - Large
57	6	108-08	Washer, .26 x .62 x .04 Zn

# 9.1 Power Pack Engine - 34G

# Centaur Parts Manual



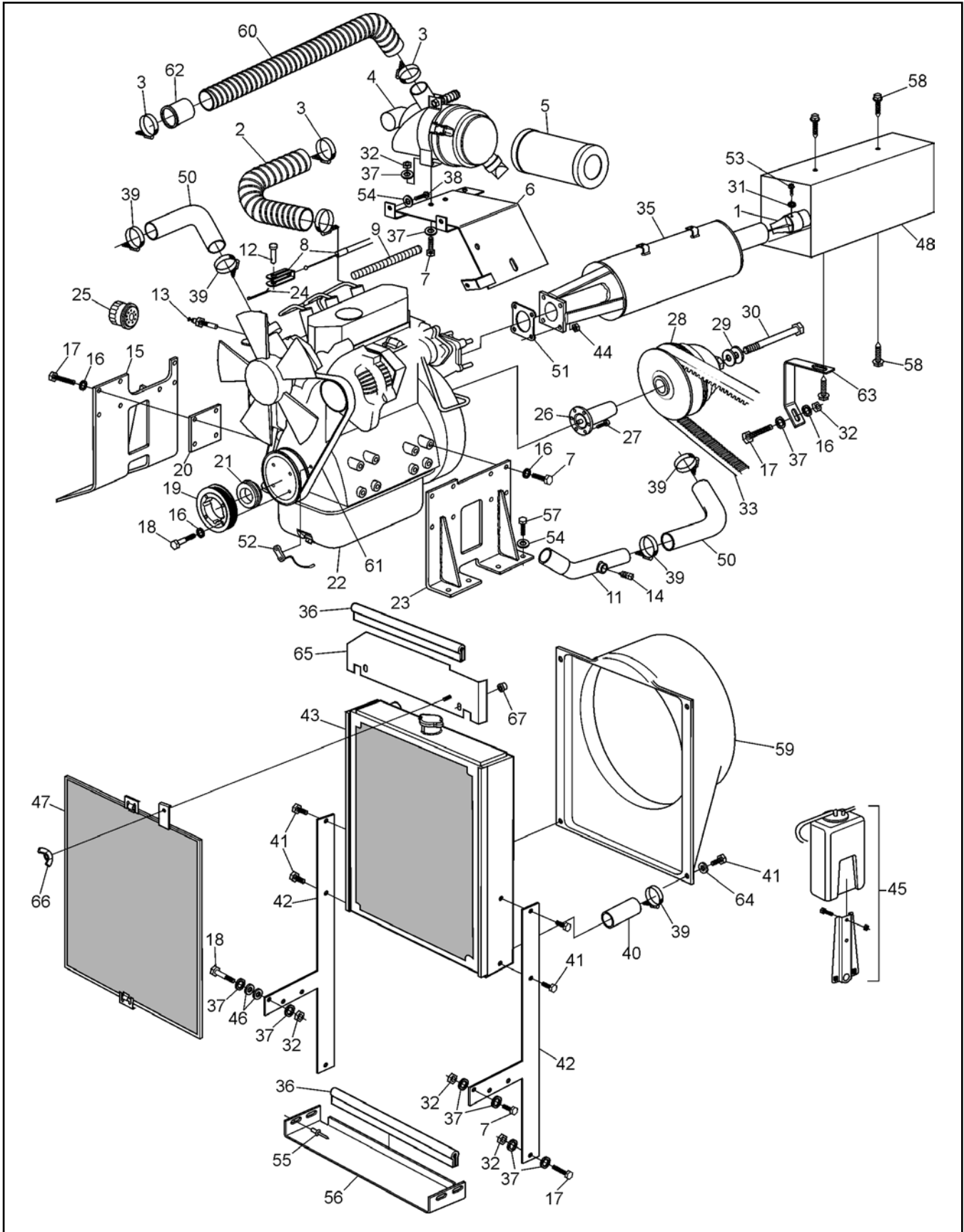
# Centaur Parts Manual

# 9.1 Power Pack Engine - 34G

Ref.	Qty.	Part #	Description	Ref.	Qty.	Part #	Description
1	1	809-195	Tube, Lower Rad - Bent -Cent.	39	6	848-16	Clamp Gear - 1.25" Dia HF-20
2	1	810-88	Hose, Intake 1-7/8"Dia.ID x4.5"	40	2	809-163	Hose, Rad - Extension
3	4	100-12	Clamp Gear 1.5" HF-28/30	41	8	112-96	HHCS M6x1x10mm Zn
4	1	825118	Air Cleaner Ass'y - B&SD Engine	42	2	809-189	Radiator Support Ass'y - Cent.
5	1	820263	Filter Element, Air - Centaur	43	1	825554	Radiator
6	1	811-112	Guard, Clutch	44	1	103-02	Plug, Magnetic 3/8-18 NPT
7	16	112-111	HHCS M8x1,25x20 (8.8) Zn	45	1	825462	Overflow Tank Kit
8		809-167RM	Seal, Radiator Baffle	47	1	820259	Screen, Radiator
9	1	809-123	Cable, Throttle - (Gas)	48	1	807-120	Shield, Exhaust
11	1	127-110	Spring,Ext. 0.59x8.0" (Gas)	49	2	108-47	Washer .39 x .94 x .13 Zn
12	1	607-103	Spark Arrester	50	1	825133	Rad Hose, (Inlet & Outlet)
13	1	119-107	Sender, Temp 250F	51	1	820085	Gasket, Exhaust
14	1	811-114	Spacer, 3 Hole 3/16" Thk	52	1	825009	Sender, Pulse Generator
15	1	811-105	Bracket, Engine Mnt - Rear	53	1	108-86	Lockwasher #10 Ext. Tooth Zn
16	20	108-05	Lockwasher 5/16 Split Ring, Zn	54	1	809-193	Baffle, Radiator
17	10	112-20	HHCS M8x1,25x25mm Zn	55	1	112-105	BHCS M4 x 0,070 x 10mm (8.8) Bare
18	4	112-101	HHCS, M8 x 1,25 x 45mm Zn	56	8	112-93	HHCS, M10x1,5x25mm Zn
19	1	610-102	Sprocket, Belt - 38T w/4 Holes	57	4	112-19	Screw, IHWH T/C Slot 1/4-20x1/2
20	1	811-110	Spacer, 2.5x3 - 4 Holes	58	1	810-86	Hose, Intake 1-7/8" Dia.x 40"
21	1	610-104	Bushing, Adapter	59	1	809-158	Cable, Choke - (Gas)
22	1	DM954G	Engine - B&SD Gas, 34 HP	61	9	108-67	Lockwasher 3/4 Split Ring Zn
23	1	811-104	Bracket, Engine Mnt - Front	62	1	807-136	Brace, Exhaust Shield
24	1	112-168	Screw, IHWH #10 x 3/8	63	1	108-32	Lockwasher, 3/8 Int. Tooth Zn
25	1	820314	Filter, Oil - Centaur Diesel	64	1	117-68	Nut, Jam 3/8-24 UNF, Zn
26	1	610-120	Shaft, PTO - Tapered	65	4	108-08	Washer .28 x .62 x .07 Zn
27	6	112-109	SHCS M10x1,25x30 (12.9) PL	66	1	809-242	Baffle Ass'y, Engine Cover - Top
28	1	610-121	Clutch, Driver - Tapered Shaft - 31/34 HP	67	1	117-84	Nut, Wing M5 x 0.8
29	2	108-35	Washer .53 x 1.06 x .09 Zn	68	2	117-79	Insert, M6 x 1,0-10mm OD
30	1	112-113	HHCS, M12x1,75x160 (8.8) Zn				
31	2	120-13	Rivet - 3/16 x 3/4 Black				
32	7	117-77	Locknut, Nylon - M8x1,25mm Zn				
33a	1	610-119	Drive Belt - 31 HP				
33b	1	610-119SA	Drive Belt - 34 HP				
35	1	807-131	Muffler - Side Exhaust -Gas				
36	1	112-137	HHCS M10x1,25x20mm Zn				
37	1	610-112	Belt, Fan				
38	1	809-238	Shroud, Rad - Fiberglass				

# 9.2 Power Pack Engine - 34DT

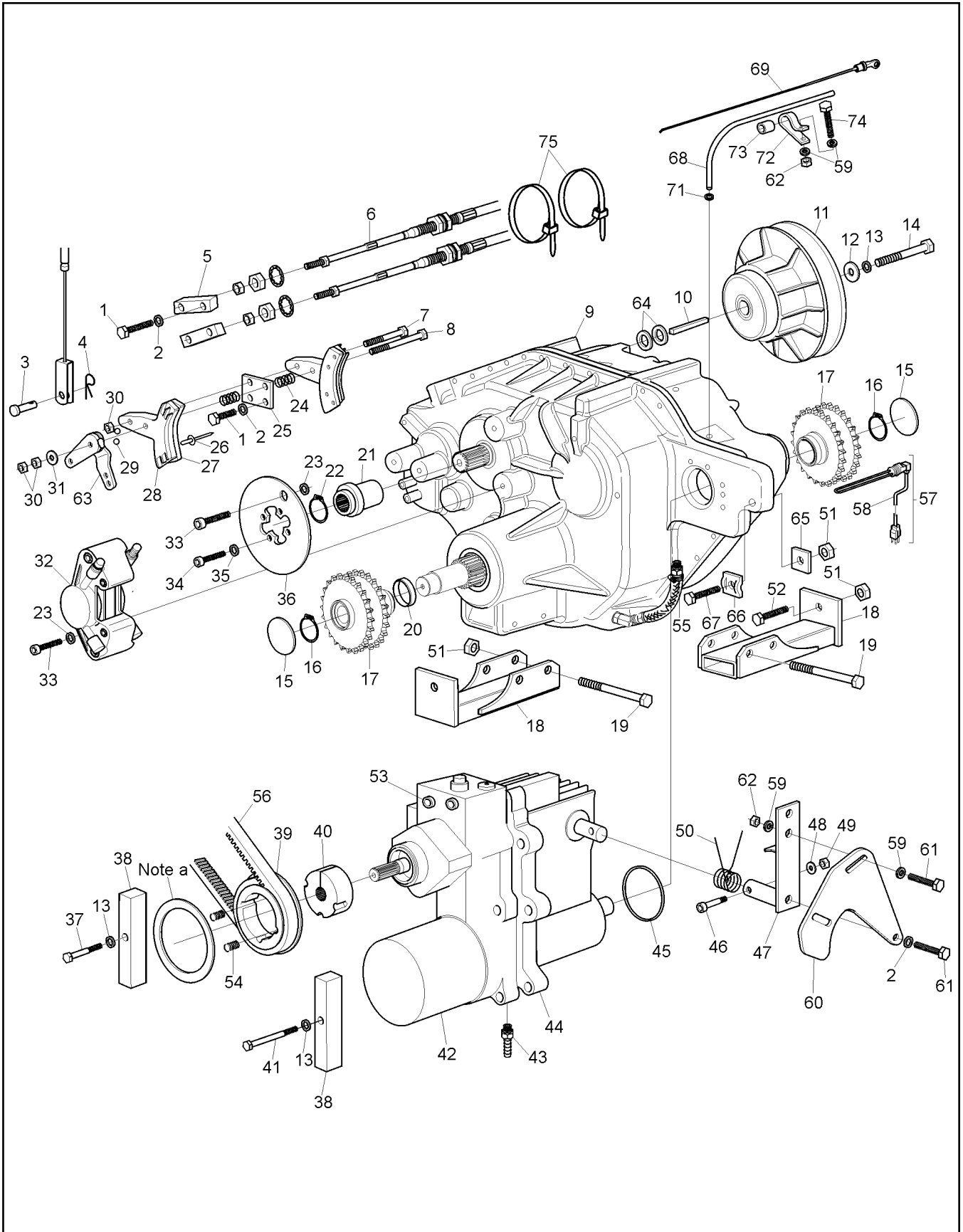
# Centaur Parts Manual



# Centaur Parts Manual

# 9.2 Power Pack Engine - 34DT

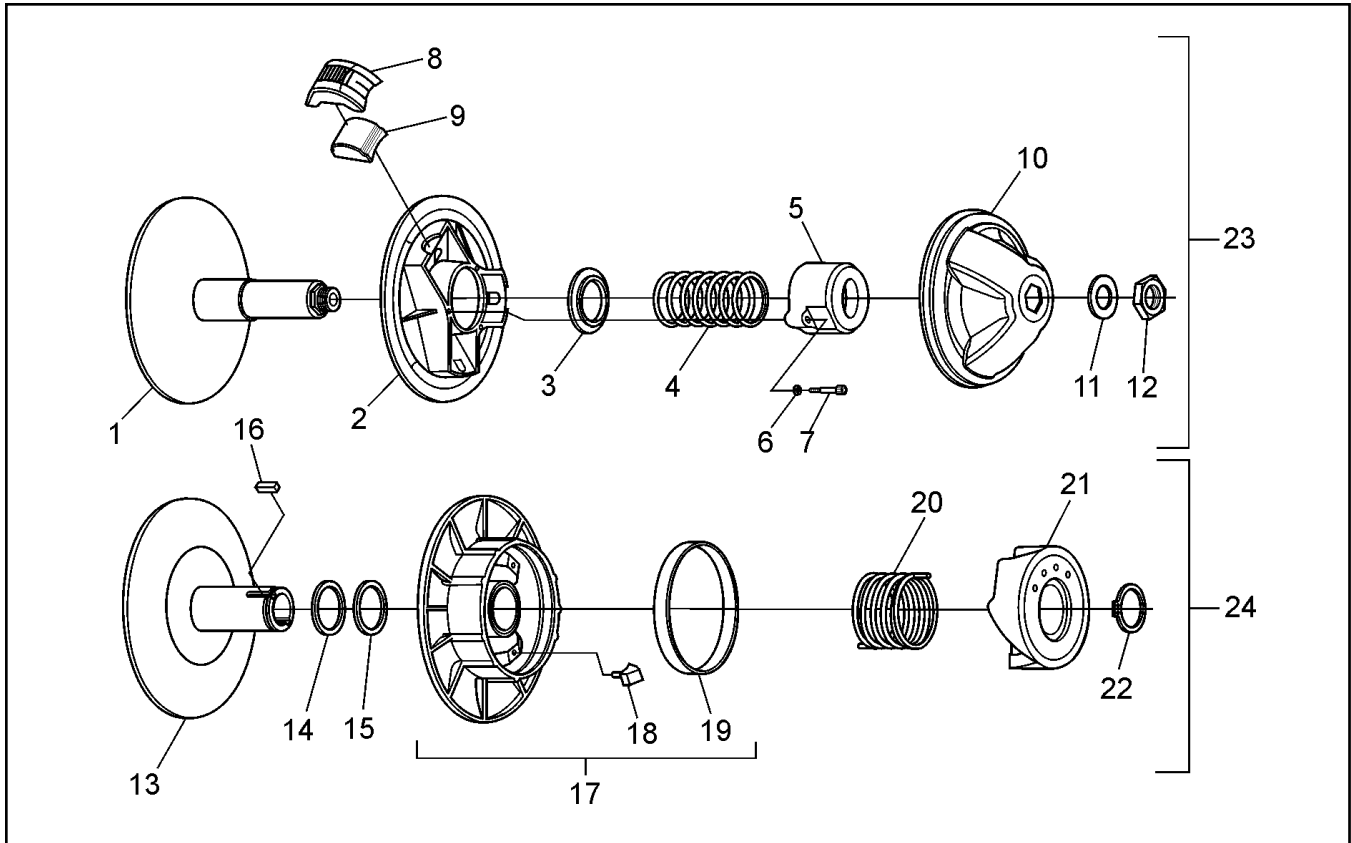
Ref.	Qty.	Part #	Description	Ref.	Qty.	Part #	Description
1	1	607-103	Spark Arrestor	37	13	108-24	Washer .34x.70x.06 Zn
2	1	810-109	Hose, Intake 1-7/8"Dia.ID x 33" - DT	38	1	112-137	HHCS M10x1,25x20mm Zn
3	4	848-17	Clamp Gear 1.5" HF-28/30	39	7	848-16	Clamp Gear - 1.25" Dia HF-20
4	1	835008	Filter, Air - B&SD Engine	40	1	809-163	Hose, Rad - Extension
5	1	820263	Filter Element, Air - Centaur	41	8	112-118	HHCS M6x1x15mm Zn
6	1	811-112	Guard, Clutch	42	2	809-189	Radiator Support Assembly-Cent
7	11	112-111	HHCS M8 x 1,25 x 20 Zn	43	1	825554	Radiator
8	1	809-148	Cable, Throttle - (Diesel)	44		90041-79123	Rad Mounting Nuts
9	1	810-90	1/2" OD Tubing, Convolved	45	1	825462	Overflow Tank Kit
11	1	809-195	Tube, Lower Rad - Bent - Centaur	46	2	108-47	Washer .39 x .94 x .13 Zn
12	1	104-28	Pin, Clevis 1/4 x.780" Zn	47	1	821047	Screen, Radiator
13	1	119-107	Sender, Temp 250F	48	1	807-120	Shield, Exhaust
14	1	103-02	Plug, Magnetic 3/8-18 NPT	50	2	825133	Rad Hose (Inlet & Outlet)
15	1	811-105	Bracket, Engine Mnt - Rear	51	1	820085	Gasket, Exhaust
16	20	108-05	Lockwasher 5/16 Split-Ring, Zn	52	1	825009	Sender, Pulse Generator
17	11	112-20	HHCS M8x1,25x25mm Zn	53	1	112-168	Screw, IHWH #10 x 3/8
18	3	112-101	HHCS, M8 x 1,25 x 45mm Zn	54	9	108-67	Lockwasher M10 Split Ring Zn
19	1	610-102	Sprocket, Belt-38T w/4Holes	55	6	120-13	Rivet - 3/16 x 3/4 Black
20	1	811-110	Spacer, 2.5x3 - 4 Holes	56	1	809-193	Rad Baffle
21	1	610-104	Bushing, Adapter	57	8	112-93	HHCS, M10x1,5x25mm Zn
22a	1	DM950DT	Engine - B&SD Diesel, 31 HP	58	4	112-19	Screw, IHWH T/C Slot 1/4-20 x 1/2
22b	1	DM954DT	Engine - B&SD Diesel, 34 HP	59	1	809-238	Shroud, Fan - Fiberglass
23	1	811-104	Bracket, Engine Mnt - Front	60	1	810-86	Hose, Intake - 1-7/8" Dia. x 40"
24	1	104-29	Pin, Cotter 1/16x3/4 Zn.	61	1	610-112	Belt, Fan
25	1	820314	Filter, Oil - Centaur Diesel	62	1	810-108	Hose Adapter
26	1	610-120	Shaft, PTO - Tapered	63	1	807-136	Brace, Exhaust Shield
27	6	112-109	SHCS M10x1,25x30 (12.9)PL	64	4	108-08	Washer .28 x .62 x .07 Zn
28	1	610-121	Clutch, Driver - Tapered Shaft - 31/34 HP	65	1	809-242	Baffle Ass'y, Engine Cover - Top
29	2	108-35	Washer .53 x 1.06 x .09 Zn	66	1	117-84	Nut, Wing M5 x 0.8
30	1	112-113	HHCS, M12x1,75x160 Zn	67	2	117-79	Insert, M6 x 1,0-10mm OD
31	1	108-86	Lockwasher #10 Ext. Tooth Zn				
32	7	117-77	Locknut, Nylon M8 x 1,25mm Zn				
33a	1	610-119	Drive Belt - 31HP				
33b	1	610-119SA	Drive Belt - 34 HP				
35	1	807-130	Muffler - Side Exhaust - DT				
36		809-167RM	Seal, Radiator Baffle - DT				



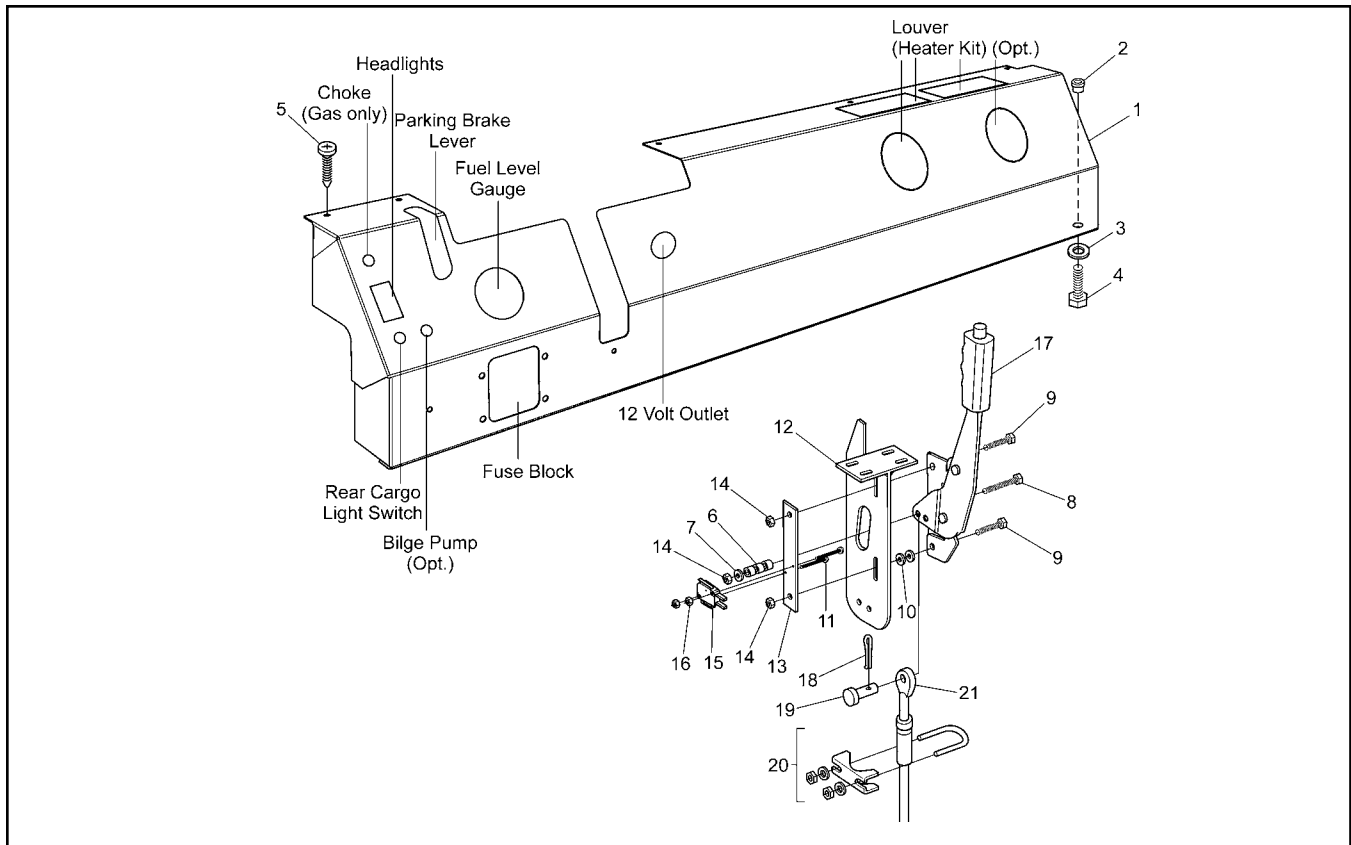
Ref.	Qty.	Part #	Description	Ref.	Qty.	Part #	Description
1	4	112-20	HHCS M8x1,25x25mm Zn	41	1	112-91	HHCS M10x1,5x150mm Zn
2	5	108-05	Lockwasher 5/16 Split-Ring Zn	42	1	610-114	Filter, Oil Hydrostat
3	1	104-27	Pin, Clevis 5/16 x .75" Zn	43	1	127-84	Fitting, Hose 7/8-14 UNF"O"
4	1	100-03	Pin, Cotter 3/32 x .750 Zn	43b	1	NPN	O-Ring, AS568-910 - .755" I.D. x .097" Thick
5	2	809-159	Bar, Shift - Cable End	44	1	610-100	Transmission, Hydrostatic
6	2	809-149	Cable, Shift	45	1	127-104	O-Ring #AS568-151-70 BN
7	1	103-29	HHCS 5/16-24x2.75 Gr8 Zn	46	1	112-106	Screw, Shoulder 1/4x1 Long
8	1	112-103	HHCS 5/16-24x4.0 Gr8 Zn	47	1	809-118	Steering Lever Asm - Trans
9	1	CE-100	Transmission Asm - Centaur	48	1	120-04	Washer .19x.50x.08 Zn
10	1	110-13	Key 1/4x1/4x2.25 45Rc	49	1	117-10	Locknut, Nylon #10-24 Zn
11	1	610-122	Clutch Driven - 240mm 31/34 HP	50	1	809-121	Spring, Torsion Steering
12	1	108-18	Washer .40x1.37x.12 Zn	51	7	117-76	Locknut Nylon M16 x 2,0 Zn
13a	2	108-67	Lockwasher M10 Split Ring Zn	52	2	112-84	HHCS M16 x 2,0 x 40 CL 8.8 Zn
13b	1	108-67	Lockwasher M10 Split Ring Zn	53	2	127-89	Plug, Drain 9/16-18 Str Thd
14	1	112-117	HHCS, M10x1,5x60mm Zn	54	2	112-131	SHSS 3/8-16 x 1/2 Cup PT
15	2	102-32	Seal, Oil-End Cap 2.44 ODx.47	55	1	638-16	Clamp, Gear 5/8" HF-10
16	2	106-16	Retaining Ring SH-0177-PA	56	1	610-109	Belt, Polychain - 8M1000
17	2	805-127	Sprocket ASM - S80 x 2 x 16T	57	1(opt.)	613-103	Heater, Trans. Oil
18	2	811-100	Bracket ASM - Trans Mount	58	repl.	613-102	Cord, Electrical Trans. Heater
19	4	112-86	HHCS M16x2,0x120 CL 8.8 Zn	59	4	108-24	Washer, .34 x .7 x .06 Zn
20	2	805-116	Bushing, 2.25OD x 2.05IDx0.4	60	1	809-203	Plate, Steering Lock Adjustment
21	1	610-116	Hub, Disc Brake - Splined	61	2	112-111	HHCS M8x1,25 x 20 Zn
22	1	107-02	Retaining Ring SH-0118-PA	62	2	117-77	Locknut, Nylon - M8x1, 25mm Zn8
23	2	108-23	Washer .42 x .81 x .06 Gr8 Zn	63	1	809-155	Cam, Parking Brake
24	2	100-10	Spring, Comp. 0.53 x 0.88	64	2	108-36	Washer 1.03 x 1.37 x .06 Zn
25	1	848-82	Bracket, Caliper	65	1	811-09	Washer, Square .64ID
26	8	120-11	Rivet - 5/32 x 9/16 Black	66	1	811-15	Washer, Square Lock .64ID
27	1	100-56	Pad Set(2), Brake	67	1	112-83	HHCS M16 x 2.0 x 80mm
28	2	100-54AP	Caliper, Brake (incl. pin)	68	1	CE-038	Tube, Dipstick - Centaur
29	2	109-02	Ball, Steel 1/4 Chromesteel	69	1	CE-039	Dipstick, Centaur Trans
30	3	117-46	Locknut, 2-Way 5/16-24 Zn	71	1	127-117	O-ring AS568-015-70BN
31	1	108-12	Washer .34 x 1.00 x .06 Zn	72	1	806-202	Bracket, Tube Clamp
32			<b>See Section 11.0 Brake System</b>	73	1	127-121	Hose Piece, 5/8" x 1" Lg
33	2	112-104	SHCS M10x1,5x30mm Zn	74	1	112-101	HHCS M8x1,25x45mm Zn
34	4	112-119	SHCS,M6x1x25mm Zn Prop CL 12.9	75	2	100-102	Tie Wrap - 14"
35	4	108-03	Lockwasher 1/4 Split Ring Zn				note a: Remove from 610-101 at assembly
36	1	610-115	Disc, Brake - 7" Dia, 4 Bolt				
37	1	112-112	SHCS M10x1,5x60				
38	2	811-111	Block, Bridge				
39	1	610-101	Sprocket, Belt - 38T (note a)				
40	1	610-103	Bushing, Gates QD - SH w/21T Spline				

# 11.0 Clutch System

# Centaur Parts Manual



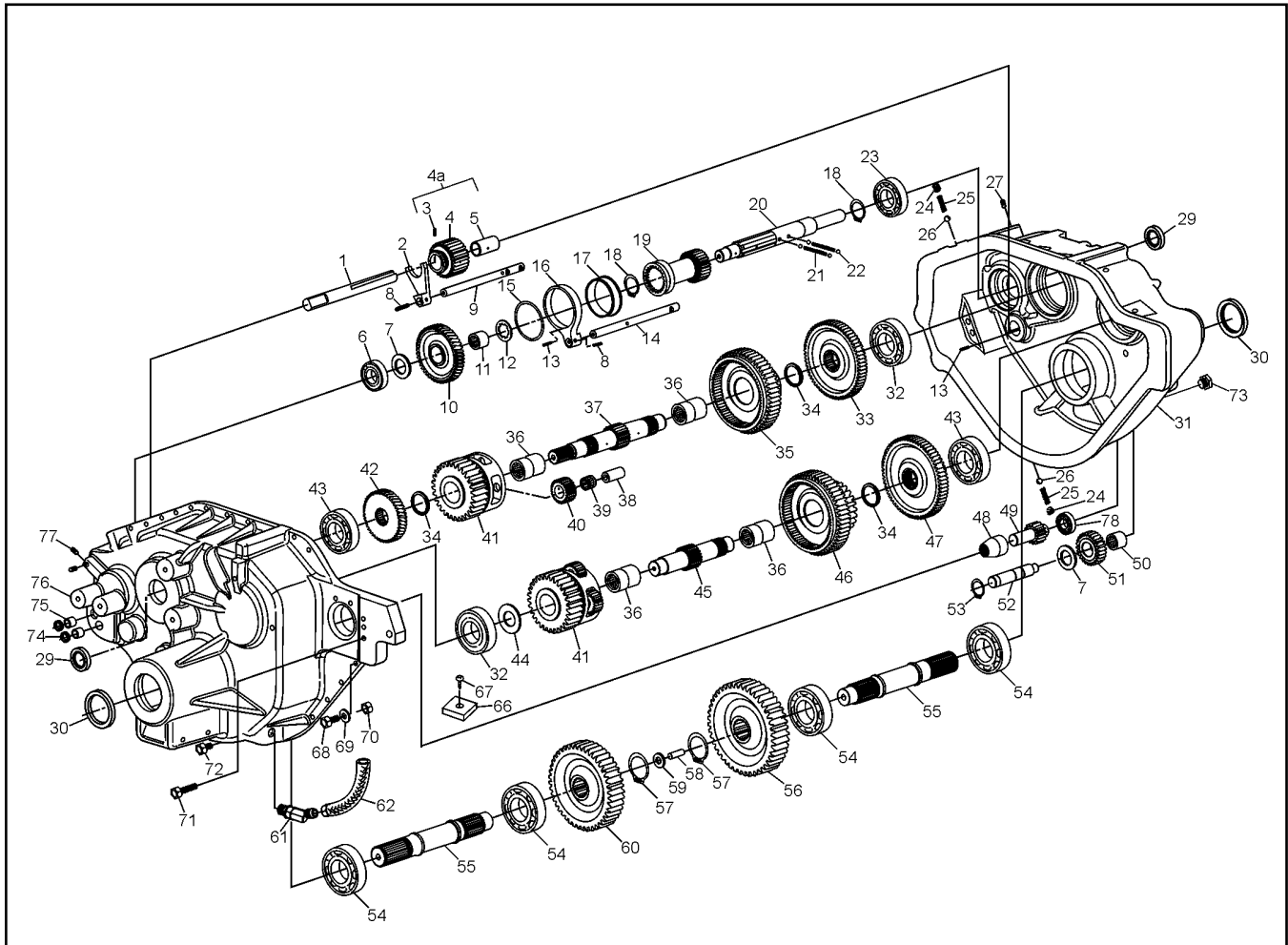
Ref.	Qty.	Part #	Description
1	1	0405-0066	Flange, Fixed
2	1	0410-0025	Flange, Sliding
3	1	0150-1014	Spring Guide Washer
4	1	0151-1005	Spring
5	1	0440-0005	Spring Cover
6	3	0080-0167	Lockwasher
7	3	0080-0021	Screw, Cap
8	3	0130-3009	Block
9	3	0135-2053	Weight (400gr)
10	1	0115-0047	Cap
11	1	0080-0162	Washer, Zn
12	1	V16J1	Nut
13	1	5105-0018	Flange, Fixed
14	as req	ASA-1	Washer, Shim 1.2
15	as req	ASA-1-S	Washer, Shim 0.6
16	1	ASK-5	Key, Square
17	1	5110-0018	Flange, Sliding (31 HP)
18	3	ANS-2-T	Cam Shoe
19	1	5140-3006	Cam Bushing
20	1	ACS-3-207	Spring, Grey
21	1	5120-2035	Cam
22	1	0080-0220	Retaining Ring, Outside
23	1	610-121	Clutch, Driver (31/34 HP)
24	1	610-122	Clutch, Driven (31/34 HP)



Ref.	Qty.	Part #	Description
1	1	801-185	Dash, Centaur 2009 (spec. colour)
2	2	117-79	Insert, M6 x 1,0 - 10mm OD
3	2	108-24	Washer, .34 x .7 x .06 Zn
4	2	112-97	HHCS M6 x 1,0 x 25mm Zn
5	5	112-125	Screw, Self-Drilling 12-14 x 1.5
6	3	108-71	Spacer - 5/16 ID x 7/16 OD x 13/32 L
7	1	108-12	Washer .34 x 1.00 x .06 Zn
8	1	112-21	HHCS M8 x 1,25 x 60mm Zn
9	2	112-63	HHCS M8 x 1,25 x 35mm Gr5 Zn
10	2	108-47	Washer .39 x .94 x .13 Zn Di-Chro
11	2	112-172	SHCS 5-40 x 3/4 Zn
12	1	809-243	Bracket Ass'y, Parking Brake
13	1	809-247	Bracket, Parking Brake Switch
14	3	117-77	Locknut, Nylon - M8 x 1,25mm Zn8
15	1	613-120	Switch, Micro, Lever
16	2	112-173	Locknut, #5-40, Zn
17	1	809-147	Lever, Parking Brake
18	1	100-03	Pin, Cotter
19	1	104-27	Pin, Clevis 5/16 x.75" Zn
20	2	809-152	U-Bolt Ass'y
21	1	809-151	Cable, Parking Brake



Ref.	Qty.	Part #	Description
1	1	166-10	Caliper, Hydraulic Brake - L
2	2	161-01	O-Ring Kit, Caliper (incl. Refs 4 & 5)
3	2	160-40	SHCS M8 x 1,25 x 40 Zn
4	1		Seal, Rubber-5mm (see Ref 2)
5	2		Seal, Piston-41mm (see Ref 2)
6	2	168-05	Piston 41mm
7	0.5	170-03	Brake Pad Set (4) - Non-asbestos
8	1	168-20	Plug, Rubber
9	1	168-03	Screw, Bleeding M10 x 1,0
10	1	109-03	Ball, Steel - 7/32 Dia.
11	2	160-41	SHCS M10x1,5 x 50mm Zn
12	2	168-07	Pin, Cotter 3,2 x 50mm
13	1	165-07	Master Cylinder (incl. Refs 18 - 25)
14	1	165-15RM	Hose, Brake Fluid - RM - 15"
15	4	160-01	Washer, Copper-1,5 x 10,0 x 14,0
16	2	809-160	Fitting, Brake Line - M10 x 1,0
17	3	809-170	Union, Brake Line - 3/16
18	2	103-47	HHMS #10-24 x 1/2" Zn
19	1	168-17	Cover
20	1	168-16	Cover, Rubber
21	1	162-08	Spring, Comp. 17.3 x 49.3mm
22	1		Seal, Primary, 19mm (See Ref. 26)
23	1	168-10	Piston 19mm Dia.
24	1		Seal, Secondary, 19mm (See Ref. 26)
25	1		Boot, Rubber (See Ref. 26)
26	1	161-25	O-Ring Kit-Master Cylinder (incl. Refs 22, 24 & 25)
27	1	165-17	Washer, Sealed
28	1	165-16	Fitting, 1/4-19BSPPx1/4 Barb
29	1	165-14	Reservoir, M/C Remote
30	2	120-13	Rivet, 3/16 x 3/4 Black
32	2	100-101	Clamp, Gear 1/2"
33	2	112-102	Screw, Self-Drill 12-14 x 3/4"
34	1	809-239	Bracket, M/C Reservoir
35	1	809-187RM	Cover - Shift Box/Dash
36	1	127-132	Grommet, Rubber - 1/2" ID
37	2	809-156	Brake Line

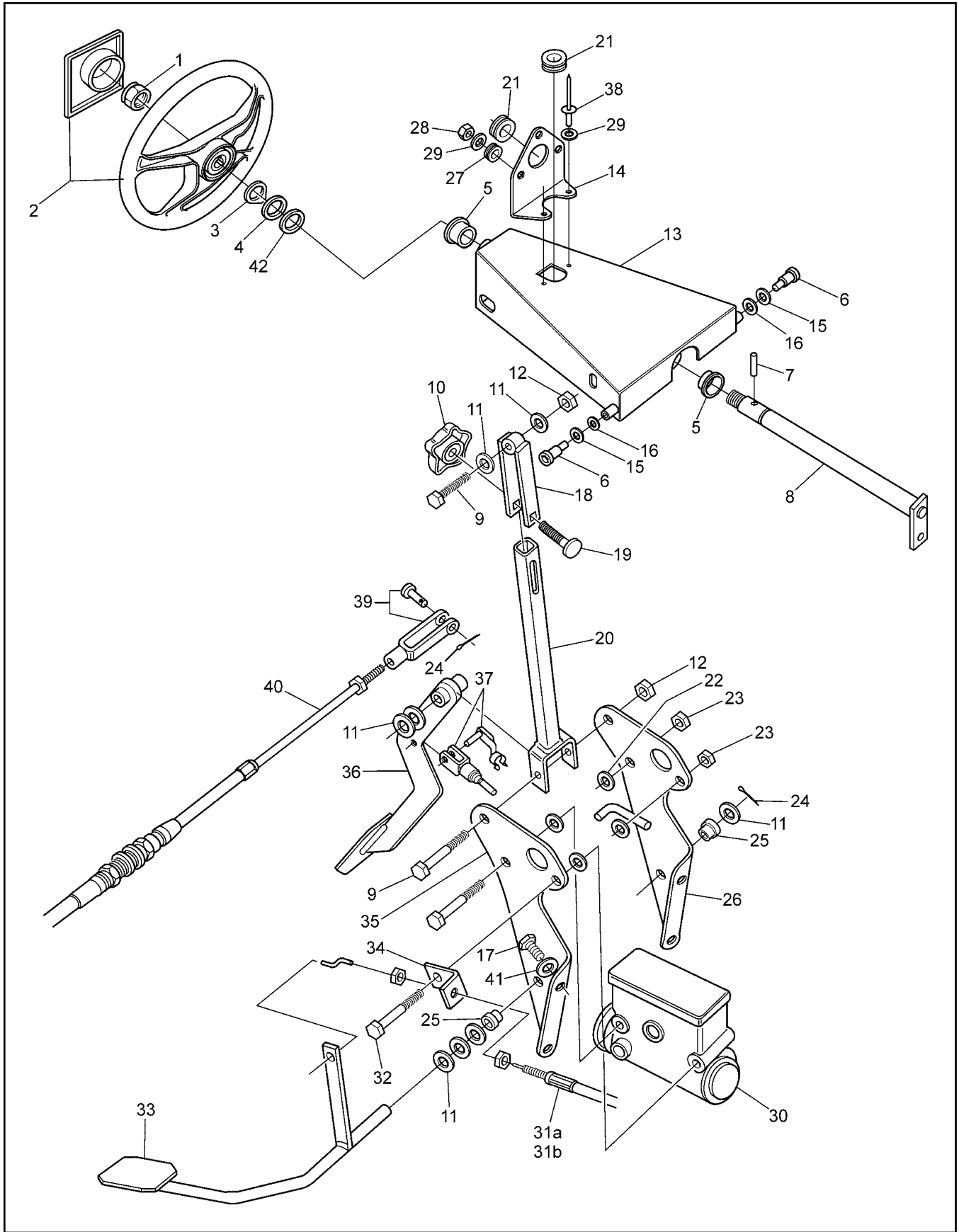


Ref.	Qty.	Part #	Description
1	1	CE-017	Shaft, Reverse
2	1	CE-028	Fork, Shift -Reverse
3	1	111-08	Pin, Spring 0.125 Dia x 0.75 Long
4	1	CE-016	Idler, Reverse -28T
4a	1	CE-016A	Gear, Idler - incl. Bushing
5	1	101-77	Bushing, Oilite AA-1232-4 (1.00 x 2.25)
6	1	101-74	Bearing, Ball 6305Z Cl.N.
7	2	CE-031	Washer, Thrust -Input
8	2	111-07	Pin, Roll .250 Dia x .88 Long
9	1	CE-021	Shaft, Shift -Reverse
10	1	CE-037	Gear, Input -45T Hi
11	1	101-70	Bearing, Needle HMK2830
12	1	CE-034	Washer, Thrust Input Splined
13	2	RA101-14	Pin, Dowel 1/4x1/2
14	1	CE-020	Shaft, Shift -Forward
15	1	106-17	Retaining Ring M3200-0850
16	1	CE-018	Fork, Shift -Forward
17	2	CE-019	Cone, Synchronizer
18	2	106-15	Retaining Ring SH-0137-PA
19	1	CE-036	Pinion, Input - 27T Lo
20	1	CE-015	Shaft, Input
21	2	CE-033	Spring, Comp. 0.25 x 1.46

Ref.	Qty.	Part #	Description
22	4	109-02	Ball, Steel 1/4 Chromesteel
23	1	101-73	Bearing, Ball 6307 CL. N.
24	2	112-89	SHSS, M12 x 1,75 x 12 Cup Pt
25	2	486-05	Spring - 3/8 ID
26	3	479-03	Ball, Steel 3/8 Dia.
27	4	112-108	SHSS, M10 x 1,50 x 10 Plain
29	2	102-30	Seal, Oil CR#13946 35x50x8
30	2	102-29	Seal, Oil CR#22328 2.25x2.875x.313
31	1	CE-023	Housing, Left
32	2	101-72	Bearing, Ball 6407Z CL. N
33	1	CE-011	Gear, Input -65T Lo
34	3	106-14	Retaining Ring M2400-0400
35	1	CE-004	Gear, Ring
36	8	101-68	Bearing, Needle HMK4030
37	1	CE-009	Shaft, Drive -Sun Gear 23T
38	8	CE-008	Shaft, Planet
39	8	101-69	Bearing, Needle K20x28x25
40	8	CE-007	Gear, Planet -23T
41	2	CE-006	Gear, Planet Carrier -30T
42	1	CE-012	Pinion, Input -43T Hi
43	2	101-71	Bearing, Ball 6407 CL. N
44	1	CE-030	Washer, Thrust -Carrier
45	1	CE-010	Shaft, Steering -Sun Gear 23T
46	1	CE-005	Gear, Ring -With Pinion
47	1	CE-022	Gear, Steering -71T
48	1	CE-032	Adapter, Splined -17T
49	1	CE-025	Pinion, Steering -15T
50	1	101-67	Bearing, Needle HK2526
51	1	CE-026	Gear, Idler -26T Steering
52	1	CE-027	Shaft, Idler -Steering
53	1	106-13	Retaining Ring SH-0098-PA
54	4	101-37	Bearing, Ball 6309 CL. N.
55	2	CE-003	Shaft, Output
56	1	CE-002	Gear, Output -50T L
57	2	106-16	Retaining Ring SH-0177-PA
58	1	104-23	Pin, Dowel .50 DIA x 1.00 Long
59	1	101-75	Bearing, Thrust (Oilite TT-1001-1)
60	1	CE-001	Gear, Output -45T R
61	1	127-98	Fitting, Adapter -45 Degrees
62	1	127-109	Hose Asm, Oil Pickup
66	1	CE-029	Magnet, 1" x 3/4" x 1/4" Thick
67	1	112-105	BHCS M4 x 0,70 x 10mm (8.8) Bare
68	21	112-63	HHCS M8x1,25x35mm Zn
69	51	108-76	Washer, .33 x .59 Zn
70	25	117-77	Locknut, Nylon M8x1,25 Zn
71	4	112-101	HHCS M8x1,25x45mm Zn
72	5	112-20	HHCS M8x1,25x25mm Zn
73	1	RA101-15	Plug, Pipe 1/2-14 NPT
74	2	102-31	Seal, Oil CR#6120 .625x.875x.188
75	2	105-19	Bushing, 10TH08
76	1	CE-024	Housing, Right
77	6	112-88	SHSS, M8 x 1,25 x 8 Cup Pt
78	1	101-40	Bearing, Ball 6305 CL.N.

# 15.0 Steering

# Centaur Parts Manual

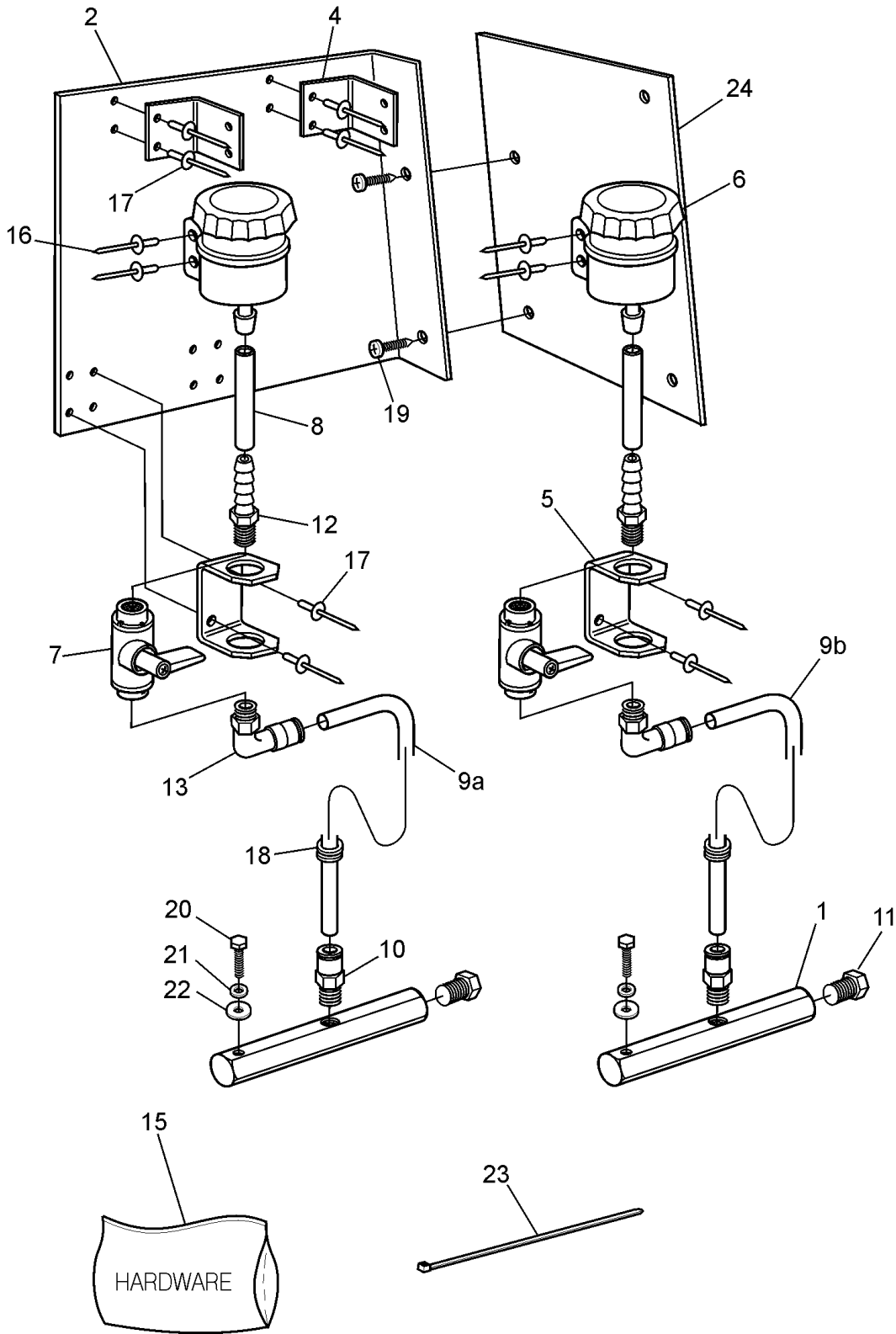


Ref.	Qty.	Part #	Description
1	1	117-76	Locknut, Nylon M16 x 2,0 Zn
2	1	809-133SA	Steering Wheel
3	1	106-07	Retaining Ring SH-0075-PA
		106-19	Retaining Ring SE-0074-ZD
4	1	108-16	Washer .79 x 1.00 x .06 Zn
5	2	105-16	Bushing, Oilite -3/4 x 1/2
6	2	112-141	Screw, Shoulder 5/16 x 3/8 Lg.
7	1	104-26	Pin, Spring 3/16 x 13/16
8	1	809-236	Steering Shaft Assembly
9	2	112-117	HHCS, M10 x 1,5 x 60mm Zn
10	1	117-71	Knob, Star - 3/8-16 - 3.5" OD
11	9	108-15	Washer, .42 x .81 x .05 Zn
12	2	117-60	Locknut, Nyloc M10x1,5 Zn
13	1	809-232	Steering Column Assembly
14	1	806-239	Bracket, LCD Gauge - Cent 2009
15	2	108-24	Washer, .34 x .7 x .06 Zn
16	2	112-116	Washer, Nyltite Rolled Nylon - 5/16" ID
17	4	112-20	HHCS M8 x 1,25 x 25mm Zn
18	1	809-116	Plate, Adjuster Asy
19	1	112-39	C/Bolt 3/8-16 x 1.75 Gr5 Zn
20	1	809-113	Adjuster Assembly - Steering Box Lower
21	2	128-27	Grommet, 1-1/4 ID x 1-1/2 x 3/32
22	4	108-08	Washer .28 x .62 x .04 Zn
23	2	117-27	Locknut, Nylon 1/4-20 Zn
24	3	100-03	Pin, Cotter 3/32 x .75 Zn
25	2	105-18	Bushing, Oilite 3/8 x 1/2 x 1/4
26	1	809-112	Support -Throttle Brake Assembly
27	3	125-84	Grommet, Rubber
28	3	117-85	Nut, Acorn, M5 Zn
29	5	120-04	Washer, .19 x .50 x .08 Zn
30	1		<b>See Section 11.0 Brake System</b>
31a		809-148	Cable, Throttle - Diesel (REF ONLY)
31b		809-123	Cable, Throttle - Gas (REF ONLY)
32	2	112-40	HHCS 1/4-20 x 2.5 Gr2 Zn
33	1	809-105	Throttle Pedal Assembly
34	1	809-109	Bracket, Cable
35	1	809-111BL	Support, Throttle -Black
36	1	809-100	Brake Pedal Assembly
37	1	809-104	Push Rod, Brake Pedal
38	2	120-13	Rivet - 3/16 x 3/4 Black
39	2	809-157	Clevis Assembly
40	1	809-150	Cable, Steering
41	4	108-05	Lockwasher 5/16 Split Ring Zn
42	1	127-112	O-Ring #AS568-116-70BN

# 16.0 Auto Lube System

# Centaur Parts Manual

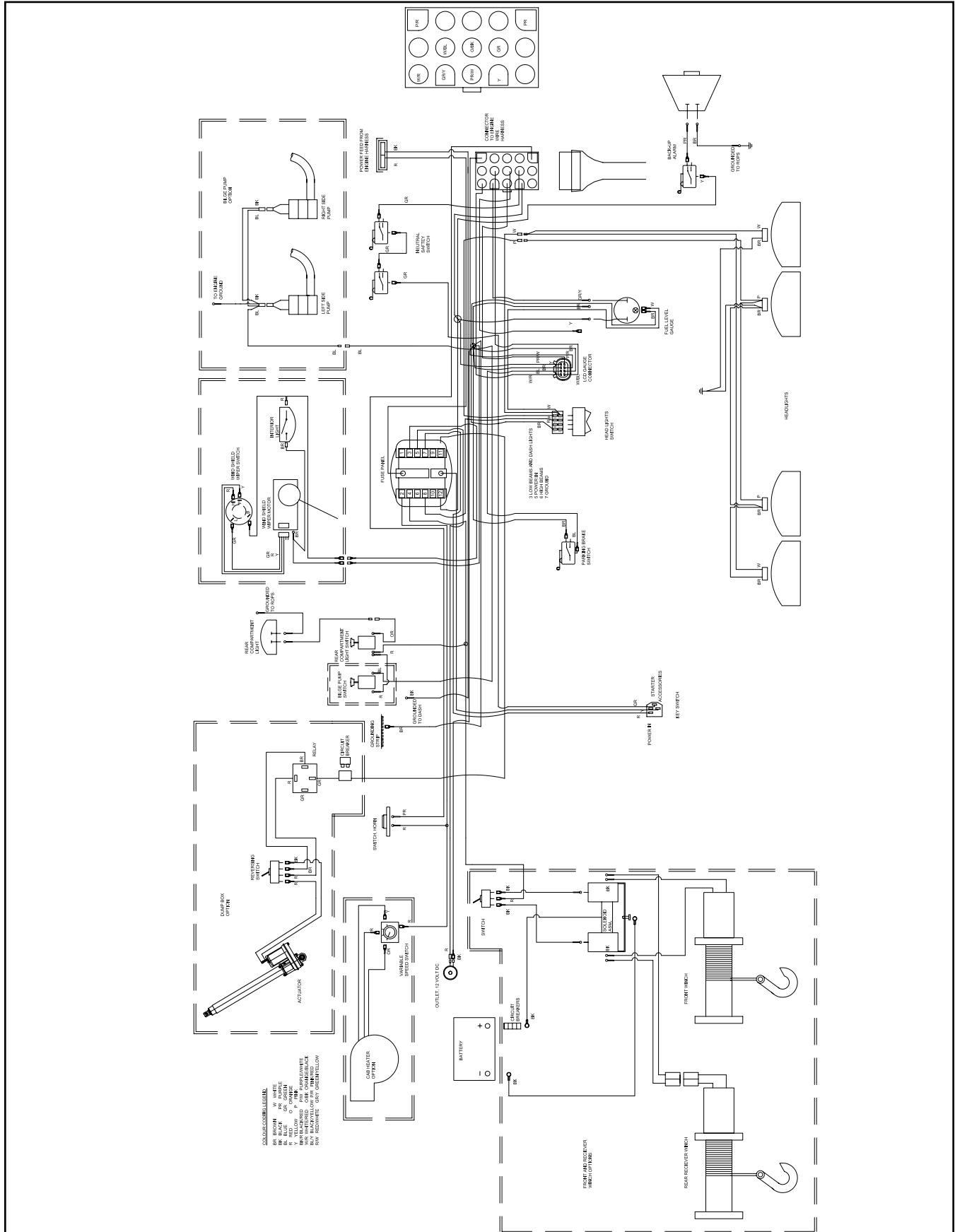
LEFT SIDE SHOWN - RIGHT SIDE, MIRROR IMAGE



Ref.	Qty.	Part #	Description
1	4	806-231	Oil, Bar
2	1	806-232L	Plate, Oil Valve Mtg. - Left
3	1	806-232R	Plate, Oil Valve Mtg. - Right (not shown)
4	4	809-239	Bracket, M/C Reservoir
5	4	848-114	Bracket, Shut Off Valve
6	4	165-14	Reservoir, M/C Remote
7	4	113-19	Valve, 1/8 NPT (Female) Ball
8	4	127-160-3	Tubing, 1/4 ID Clear Plastic
9a	2	127-161-66	Tubing, 1/4 OD - 66" (Air Line)
9b	2	127-161-50	Tubing, 1/4 OD - 50" (Air Line)
10	4	113-17	Fitting, 1/8" NPT Push to Connect
11	4	113-18	Plug, 1/8" NPT Pipe
12	4	113-20	Fitting, 1/8 NPT x 1/4 Barb
13	4	113-21	Fitting, 1/8 x 90 Male Push Conn.
<b>15</b>	<b>1</b>	<b>848-150HDW</b>	<b>Hardware Kit, Cent. Auto Lube</b>
16	8	120-13	Rivet - 3/16 x 3/4 Black
17	16	120-11	Rivet - 5/32 x 9/16 Black
18	4	128-04	Grommet, Rubber - 3/8" Zn
19	4	112-102	Screw, Self Drill 12-14 x 3/4"
20	4	112-118	HHCS M6 x 1.75 x 15mm
21	4	108-03	Lockwasher 1/4 Split Ring Zn
22	4	108-08	Washer .28 x .62 x .07 Zn
23	8	100-64	Tie Wrap - 5.5" - Black
24	2	806-233	Plate, Extension - Oil Valve



Ref.	Qty.	Part #	Description
1	1	613-90	Outlet, 12 Volt DC
2	2	127-90	Plug, Black Nylon - 3/8" ID
3	1	613-126	Sensor, Speedometer Pick-up
4	2	126-93	Clamp, Nylon wire - 1/2" ID
5	4	120-13	Rivet - 3/16 x 3/4 Black
6	10	120-04	Washer, .19x.5x.08 Zn
7	5	103-25	PHMS #10-24x3/4" Zn
8	1	848-86	Button, Horn
9	5	117-10	Locknut, Nylon #10-24 Zn
10	1	613-129	Cable, Ext. - Speedo Pick-up - 3ft.
11	1	613-130	Gauge, LCD - Centaur
12	2	127-24	Clamp, Nylon - 1" ID
13	1	849-107	Switch, 2 speed wiper
14	6"	127-124RM	Tubing, Convolutd - 3/8" ID
15	1	100-102	Tie Wrap - 14", White
16	2	127-108	Key, Molded
17	1	127-107	Cover, Nut
18	1	127-106	Nut, Flanged - Plastic
19	1	127-105	Switch, Ignition
20	1	126-76	Knob, Light -Black
21	1	100-62	Switch, Light
24	1	613-77	Switch, Light Hi/Low
25	1	119-104	Gauge, Fuel -52mm
26	1	810-101	Wire Harness - Headlights
27	2	613-73	Headlamp, Halogen -37 W Trap
28	4	613-74	Bezel, Rubber Headlamp
29	2	613-69	Headlamp, Halogen - 37 Watt
30	2	613-37	Terminal strip, Ground
31	1	825572	Module, Ignition
32	1	810-111	Wire Harness - Interior Light & Wiper
33	1	810-104	Wire Harness - Rear Compt Light
34	1	810-110	Wire Harness - Centaur Dash 2009
35	4	120-15	Rivet, 1/8 x 7/16
36	2	118-53	Fuse, 20A
37	4	118-49	Fuse, 15A
38	2	118-52	Fuse, 10A
39	2	108-55	Lockwasher, 7/16" Ext. Tooth
40	1	108-56	Lockwasher, 1/4 Ext. Tooth
41	4	127-46	Bulb, Headlight - Halogen
42	1	810-103	Wire Harness - Gas
43	1	810-102	Wire Harness - Diesel
44	1	112-20	HHCS M8 x 1,25 x 25 Zn
45	1	117-77	Locknut, Nylon M8 x 1,25 Zn
46	1	848-87	Horn, Electric
47	1	118-04	Connector, T-Tap 14-18 awg
48	1	820373	Preheat Timer
49	1	820455	Glow Plug Relay Assembly
50	1	119-109	Light, Bulb
51	1	119-110	Socket, Light Bulb
52	2	108-26	Washer .43 x 1.02 x .09 Zn
53	3	120-24	Rivet, Alum. 3/32 x 3/8 Black
54	2	613-45	Insulator, Terminal (6 Ga.)

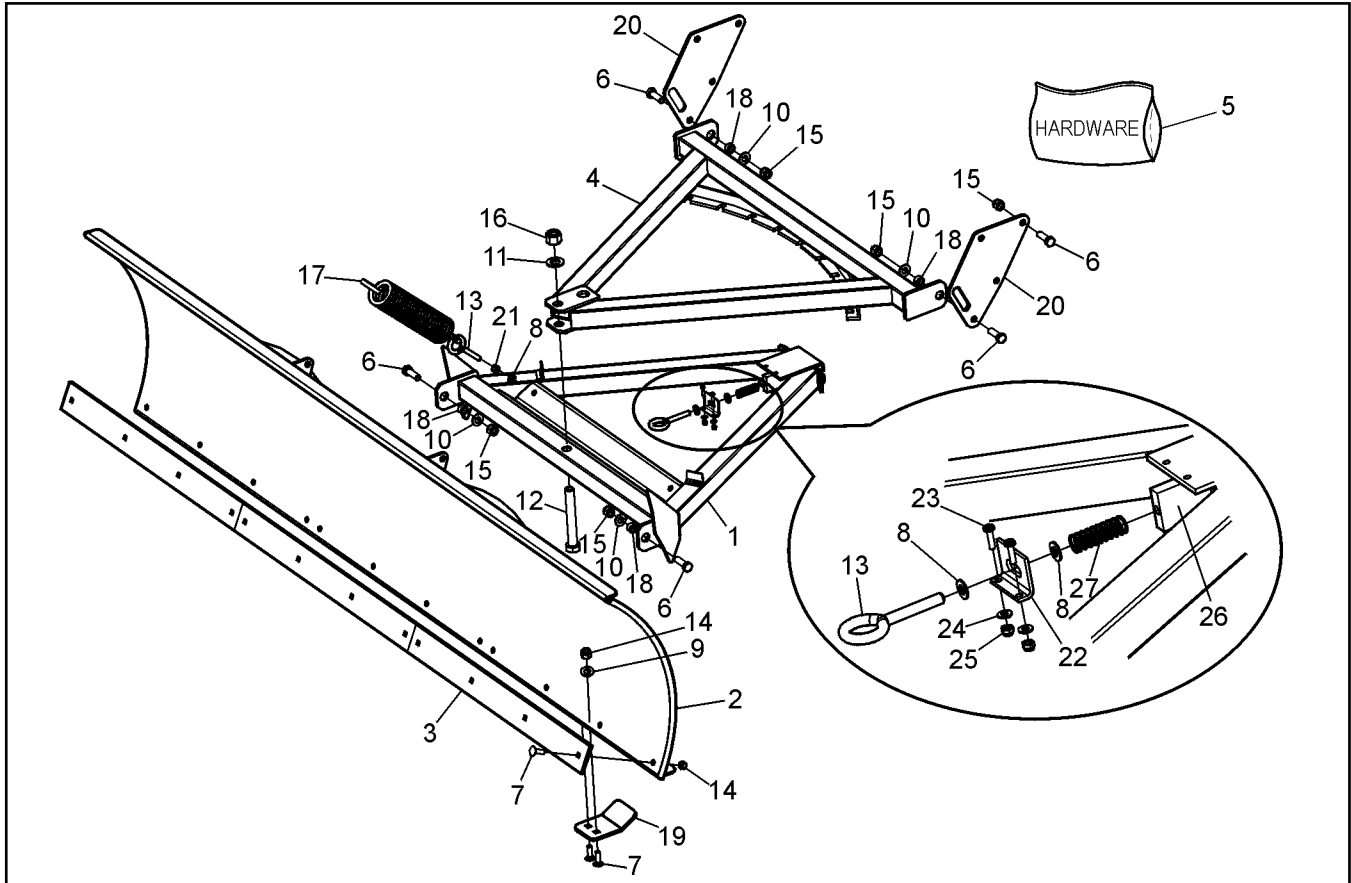


# **Centaur Parts Manual**

---

# 657-106 Snowplow Assembly

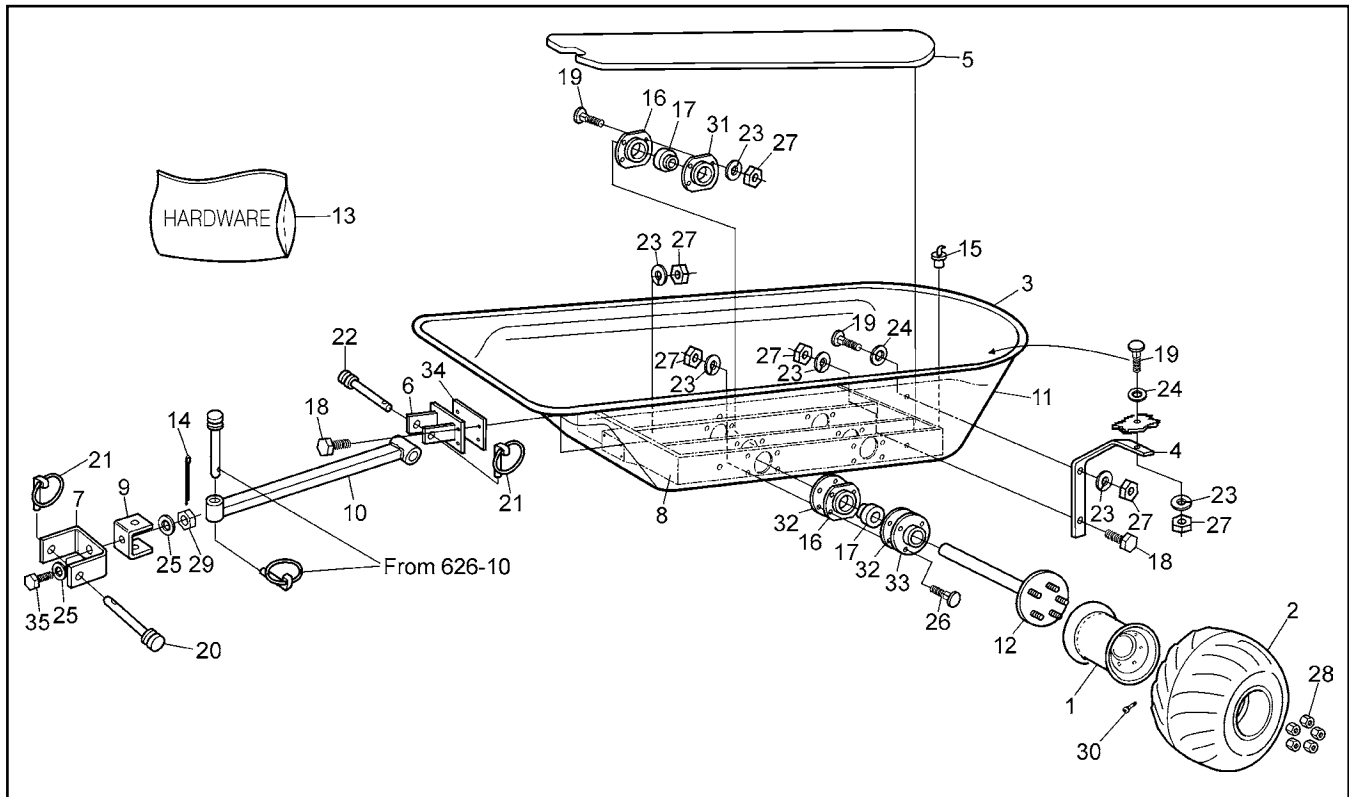
# 18.0 Accessories



Ref.	Qty.	Part #	Description	Shipping Weight and Dimensions
1	1	657-25	Boom Assembly, Lower	1 Box Hardware - 24 lbs. 10" x 10" x 7"; 3
2	1	657-11	Blade Assembly	pcs. 27" x 2-1/2" x 1/2"; 31 lbs.
3	3	657-90	Knife	1 Piece 657-25 - 36" x 27" x 2"; 28 lbs.
4	1	657-27	Boom Assembly, Upper - Centaur	1 Piece 657-27 - 36" x 27" x 2"; 22 lbs.
5	1	<b>657-106HDW</b>	<b>Hardware kit consisting of the following:</b>	Blade 657-11 - 84 lbs.
6	10	103-21	HHCS, 1/2"-20 x 1-1/2" GR 5 Zn	
7	16	103-88	Carriage Bolt 3/8"-16 x 1"	
8	4	108-15	Washer, .42x.81x.05 Zn	
9	6	108-26	Washer, .43x1.02x.09 Zn	
10	4	108-35	Washer, .53x1.06x.09 Zn	
11	2	108-53	Washer, .81x.5x.12 Zn	
12	1	112-13	HHCS, 3/4"-10 x 5.5 GR 5 Zn	
13	3	112-80	Eye Bolt, Welded 3/8"-16 Plated	
14	18	117-29	Locknut, Nylon 3/8"-16 Zn	
15	10	117-57	Locknut, Nylon 1/2"-20 Zn	
16	1	117-58	Locknut, Nylon 3/4"-10 Zn	
17	2	127-82	Spring, Extension - Painted	
18	4	657-54	Bushing	
19	2	657-59	Shoe	
20	2	657-105	Bracket, Centaur Snowplow	
21	2	117-15	Nut, Hex Fin 3/8" - 16 Zn	
22	1	657-16	Plate, Spring Stop	
23	2	103-25	PHMS, 10 - 24 x 3/4 Zn	
24	2	120-05	Washer, .19 x .50 x .04 Zn	
25	2	117-10	Locknut, Nylon 10 - 24 Zn	
26	1	657-15	Block, Adjustment Pin	
27	1	125-78	Spring, Comp. 0.66 x 1.92	

# 18.0 Accessories

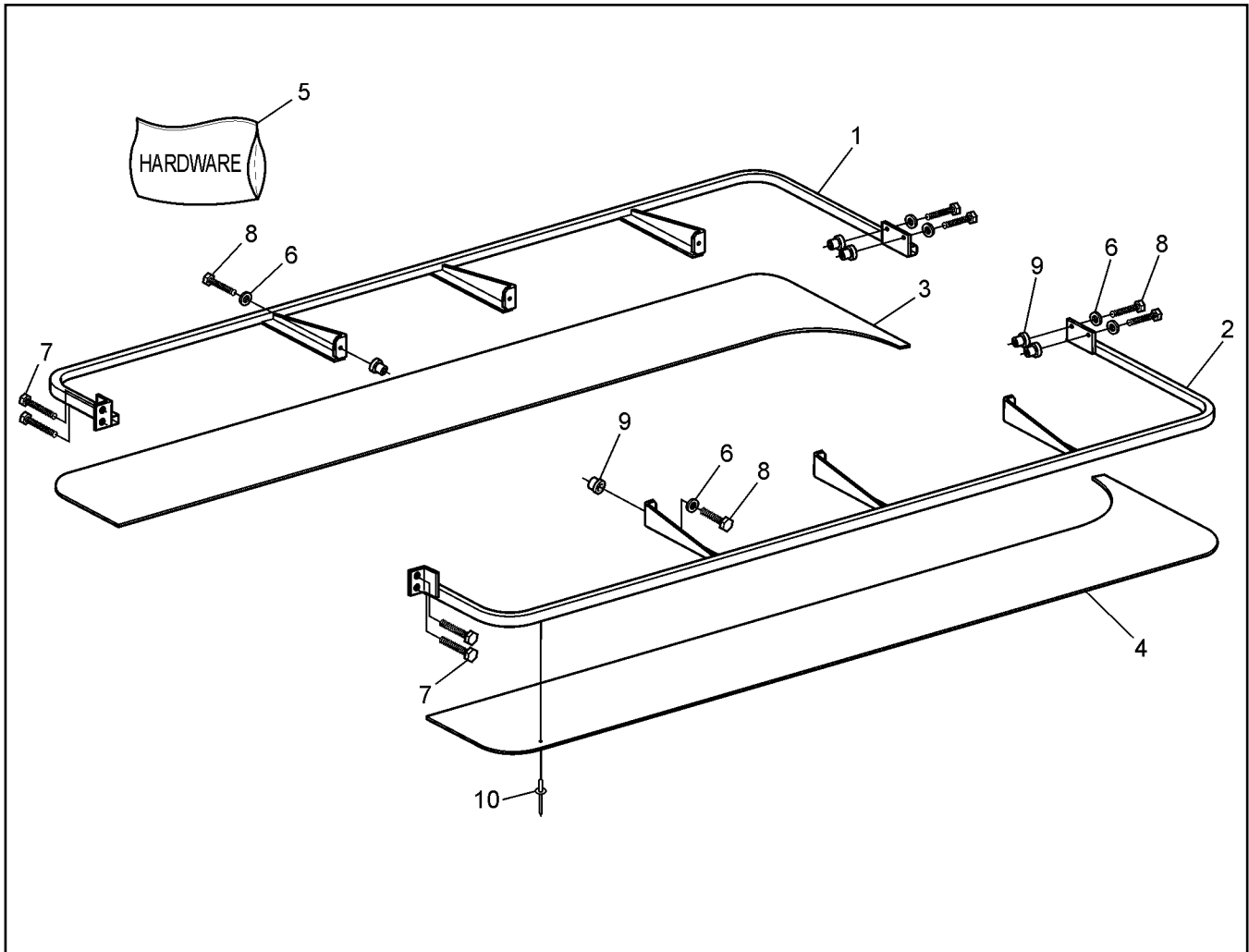
# 695-80BL Trailer Assembly



Ref.	Qty.	Part #	Description	Ref.	Qty.	Part #	Description
1	4	127-61C	Rim - 10x9 - Charcoal	20	1	104-10	Pin, Toplink - 3/4 x 3.875
2	4	127-100SA	Tire, Rawhide III 25 x 11.50 x 9	21	2	104-11	Pin, Lynch - Ring
3	1	601-05	Rubber Bumper	22	1	104-13	Pin, Toplink - 3/4 x 2.75
4	4	695-16	Body Support	23	48	108-06	Lockwasher 3/8" Split Ring Zn
5	1	695-59	Floorboard, Trailer	24	8	108-35	Washer .53 x 1.06 x .09 Zn
6	1	695-63	Hitch ASM, Trailer	25	2	108-53	Washer .81 x 1.50 x .12 Zn
7	1	695-64	Bracket, Hitch	26	16	112-39	C/Bolt 3/8-16 x 1.75 Gr5 Zn
8	1	695-65	Frame ASM, Trailer	27	48	117-15	Nut, Fin Hex 3/8" -16 Zn
9	1	695-71	Bracket, Tongue	28	20	117-35	Nut, Wheel 7/16 - 20 Zn
10	1	695-74	Tongue ASM	29	1	117-37	Nut, Hex slotted 3/4-10 Zn
11	1	695-77BL	Body, Trailer Sub-Asm	30	4	125-26	Valve, Tire
12	4	810-58	Axle ASM, Trailer	31	8	605-63	Flange, Bearing - Outer
13	1	<b>695-75HDW</b>	<b>Hardware kit including:</b>	32	8	605-89	Gasket, Outer Bearing
14	1	100-01	Pin, Cotter 1/8 x 1.50 Zn				Flange
15	2	100-18	Plug, Drain 5/8" x 13/32"	33	4	605-97	Flange ASM, Outer
16	4	101-20	Flange ASM, Bearing	34	1	616-20	Gasket, Rear Hitch
17	8	101-35	Bearing, Ball UC206A-20	35	1	695-34	Bolt, Swivel
18	8	103-34	HHCS 3/8 - 16 x 1.25 Gr5 Zn	<b>Shipping Weight and Dimensions</b> 1 Piece - 307 lbs.; 93" x 56" x 30"			
19	24	103-88	C/Bolt 3/8-16 x 1.00 Gr5 Zn				

# 821-105 Mud Flap Assembly

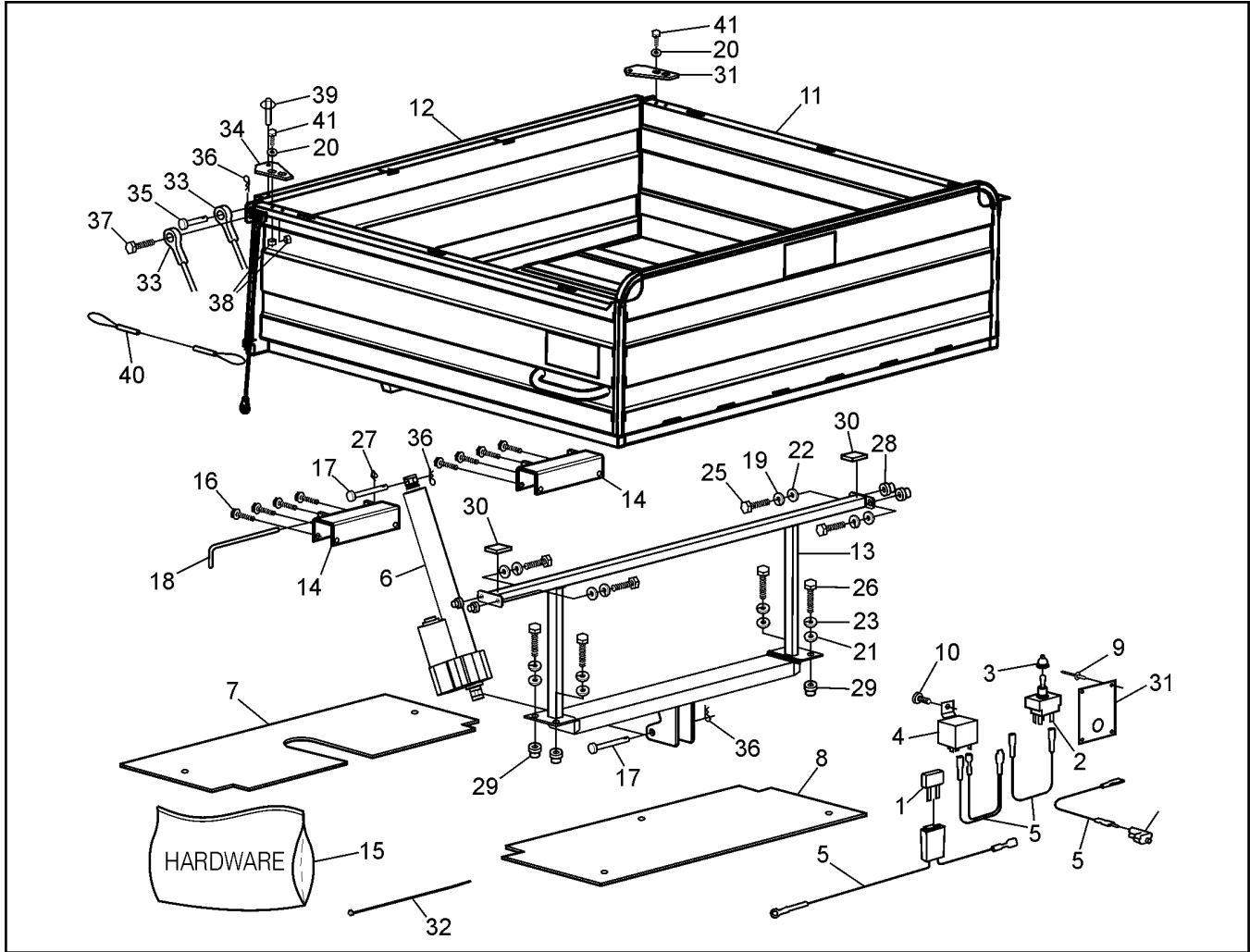
# 18.0 Accessories



Ref.	Qty.	Part #	Description
1	1	821-106	Left Mud Flap Frame Weld ASM
2	1	821-107	Right Mud Flap Frame Weld ASM
3	1	821-112	Mud Flap - Left
4	1	821-113	Mud Flap - Right
5	1	<b>821-105HDW</b>	<b>Hardware Kit, consisting of the following:</b>
6	10	108-08	Washer .28x62x.04m Zn
7	4	112-133	HHCS M10x1,5x33MM Zn
8	10	112-97	HHCS, M6x1 x 25MM Zn
9	10	117-79	Insert, M6x1,0-10 mm OD
10	48	120-11	Rivet - 5/32x 9/16 Black

# 18.0 Accessories

# 835-100 Dump Box Assembly



Ref.	Qty.	Part #	Description
1	1	613-83	Breaker, Circuit - 25 Amp
2	1	613-84	Switch, Toggle - 25 Amp-Reversing
3	1	613-85	Seal, Toggle Switch
4	1	613-86	Relay, 40 Amp
5	1	835-104	Wire Harness, Cent. Dump Box
6	1	835-105	Actuator, Electric-12" Stroke
7	1	835-106	Floor Plate, Centaur Dump Box
8	1	835-107	Floor Plate, Centaur Dump Box
9	4	120-24	Rivet, Alum - 3/32 x 3/8 Black
10	1	112-102	SHSS, Screw, Self-drilling, 12-24x3/4"
11	1	835-110	Dump Box, Centaur Welded Assy
12	1	835-130	Tail Gate Assy, Centaur Dump Box
13	1	835-140	Undercarriage, Centaur Dump Box
14	2	835-160	Hinge, Support Brkt - Centaur Dump Box
<b>15</b>	<b>1</b>	<b>835-100HDW</b>	<b>Hardware kit consisting of the following:</b>
16	8	103-72	Screw, IHWH T/C Slot 1/4-20x3/4
17	2	104-31	Pin, Clevis, 1/2" x 2-3/4"
18	2	104-32	Pin, Pull
19	4	108-06	Lockwasher 3/8 Split-Ring Zn
20	12	108-08	Washer .28x.62x.04 Zn
21	4	108-15	Washer .42x.81x.06 Zn

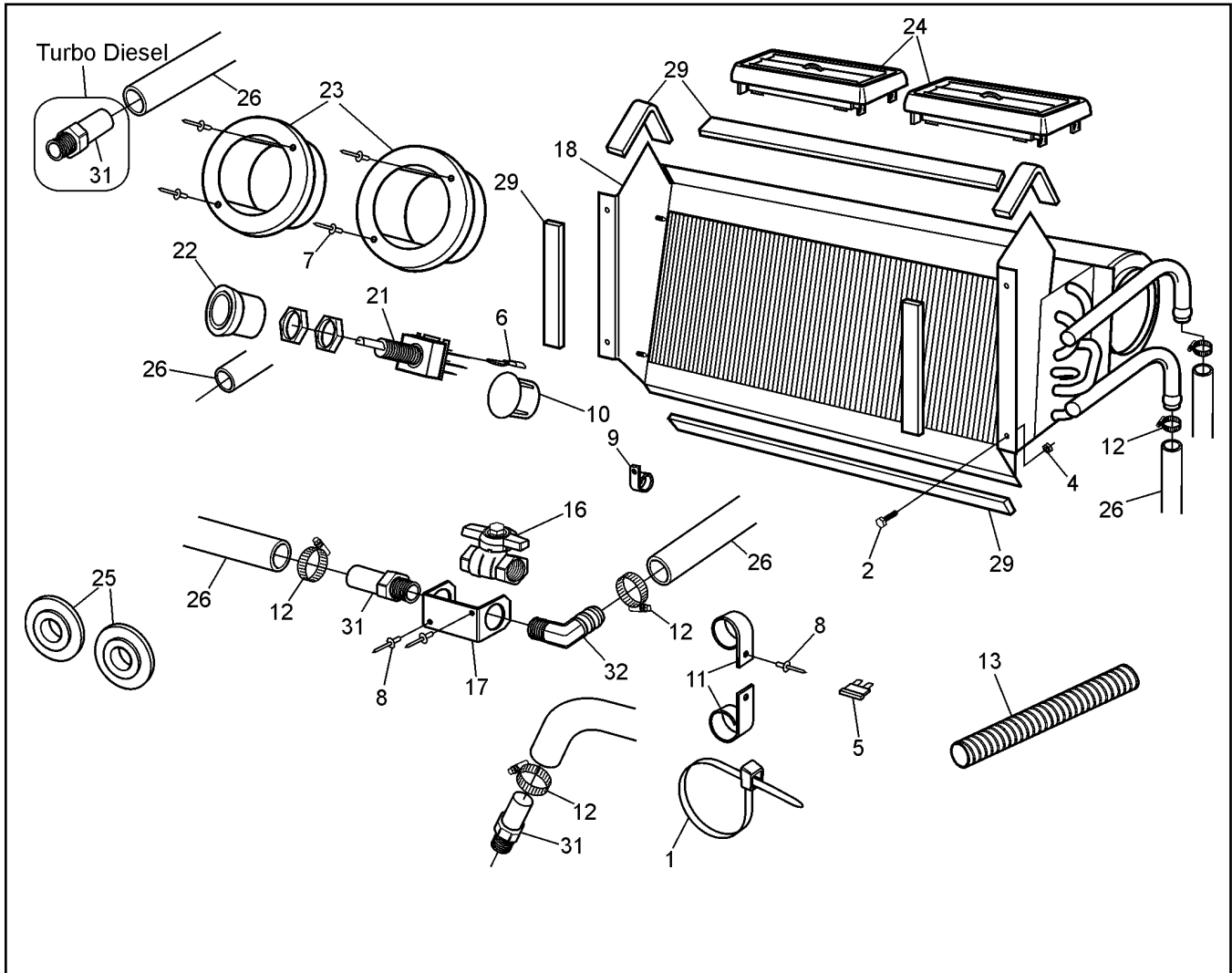
Ref.	Qty.	Part #	Description
22	4	108-24	Washer .34x.70x.06 Zn
23	4	108-67	Lockwasher M10 Split Ring Zn
25	4	112-20	HHCS M8x1.25x25mm Zn
26	4	112-93	HHCS M10x1.5x25mm Zn
27	2	113-10	Ring, Cotter 3/8" Shaft
28	4	117-69	Insert, M8x1.25-13.5mm OD
29	4	117-70	Insert, M10x1.5-13.5mm OD
30	4	702-06	Cushion, Foam
31	1	835-03	Label, Switch - Dump box
32	2	100-102	Tie-Wrap 14"
33	2	835-122	Cable, Dumpbox Tailgate
34	2	835-123	Bracket, Adjustment - Dump Box
35	2	104-25	Pin, Clevis 3/8x3/4 Zn
36	2	100-16	Clip, Hitch Pin 1.625 Zn
37	2	112-14	HHCS 3/8-16x3/4 GR5 Zn
38	2	117-29	Locknut, Nylon 3/8-16 Zn
39	2	104-38	Pin, Hitch 5/16"x1.2"
40	2	104-37	Lanyard, Nylon
41	4	112-04	HHCS 1/4-20x3/4 GR2 Zn
42	4	117-27	Locknut, Nylon 1/4-20 Zn

### Shipping Weight and Dimensions

1 Piece - 220 lbs.; 61" x 47" x 18"

# 848-110 Heater Assembly

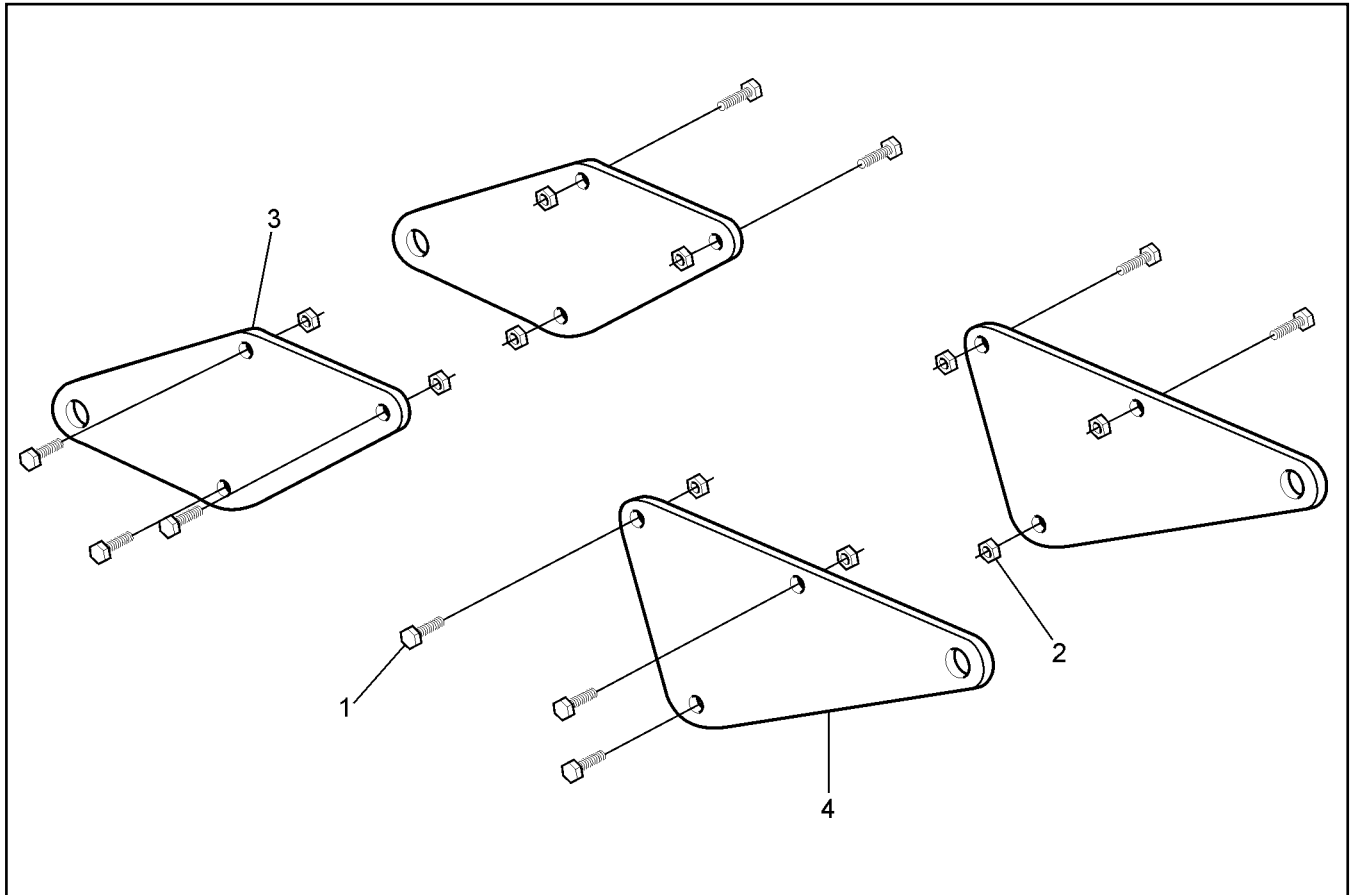
# 18.0 Accessories



Ref.	Qty.	Part #	Description	Ref.	Qty.	Part #	Description
1	3	100-102	Tie Wrap - 14" White - 50lb.	24	2	1710	Louver, Rectangular, 1-3/4"x5"
2	5	103-25	PHMS 10-24x3/4 Zn	25	2	28-0005	Grommet
4	5	117-10	Locknut, Nylon #10-24 Zn	26	20ft	840005	Hose
5	1	118-49	15 Amp Fuse	29	1	848-118	Vinyl Strip 1/2" x 1/4" x 4"
6	4	118-64	Terminal, Female 1/4" 22-18 Insulated	31	3	848-25	Barb, Beaded Hose - 3/8 NPT
7	4	120-11	Rivet - 5/32 x 9/16" Black	32	1	848-31	Barb, Beaded Hose 90° Elbow-NPT
8	3	120-13	Rivet - 3/16 x 3/4 Black	<b>Shipping Weight and Dimensions</b> 1 Box - 20 lbs.; 29" x 11" x 10"			
9	1	126-93	Clamp, Nylon Wire 1/2" ID				
10	1	127-111	Plug, Black Nylon - 7/8" ID				
11	2	127-24	Clamp, Nylon - 1" ID				
12	6	638-16	Clamp, Gear 5/8" HF-10				
13	1ft	613-59RM	Loom - Nylon - 1.25" ID				
16	1	848-113	Valve, Shut Off				
17	1	848-114	Bracket, Shut Off Valve				
18	1	848-115	Heater Coil & Blower Asm - Centaur Consists of:				
19	1	876011A	Coil				
22	1	1276	Knob				
23	2	830046A	Louver, Round, 3"				

# 18.0 Accessories

# 848-121 Four Point Lift Assembly



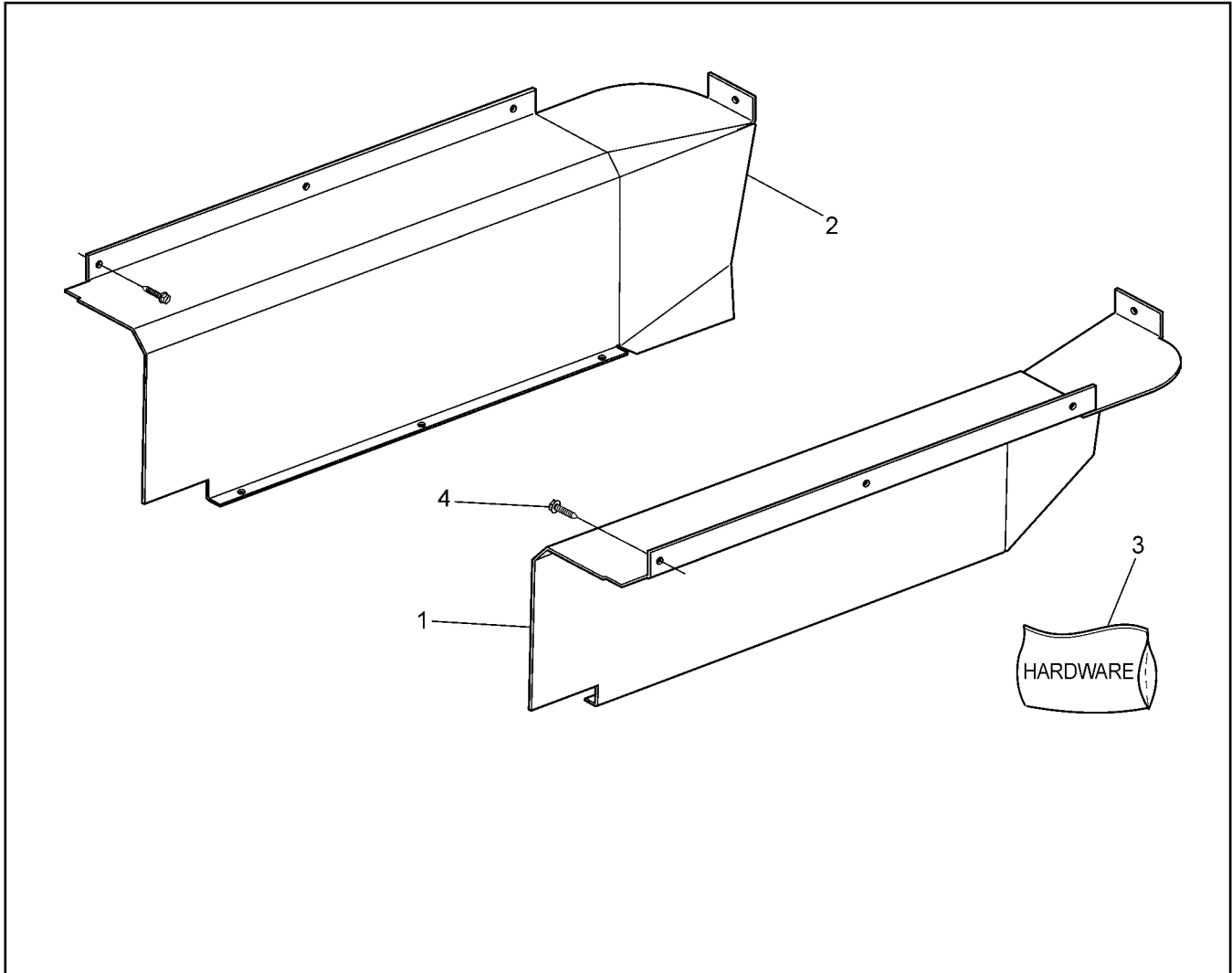
Ref.	Qty.	Part #	Description
1	12	103-21	HHCS, 1/2-20 x 1-1/4"
2	12	117-57	Locknut, Nylon 1/2" - 20 Zn
3	2	848-119	Plate, Rear Lift - Centaur
4	2	848-120	Plate, Front Lift - Centaur

**Shipping Weight and Dimensions**

1 Box - 14 lbs.; 10" x 10" x 6"

# 848-123 Cargo Liner Assembly

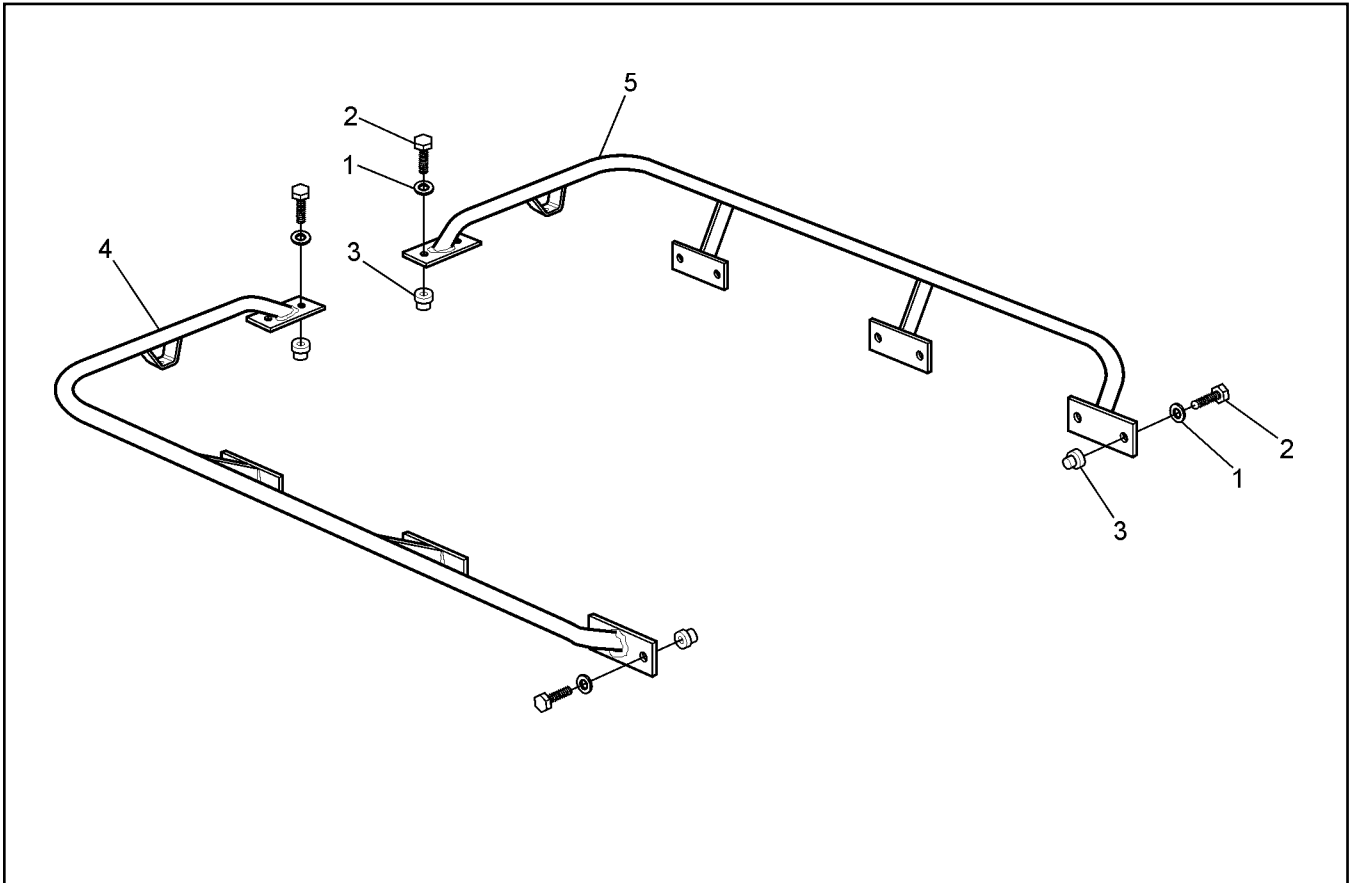
# 18.0 Accessories



Ref.	Qty.	Part #	Description
1	1	848-124	Cargo Liner, Left - Centaur
2	1	848-125	Cargo Liner, Right - Centaur
3	1	<b>848-123HDW</b>	<b>Hardware Kit comprised of:</b>
4	15	112-19	Screw, IHWH T/C Slot 1/4-20x1/2

# 849-116 Tie Down Assembly

# 18.0 Accessories



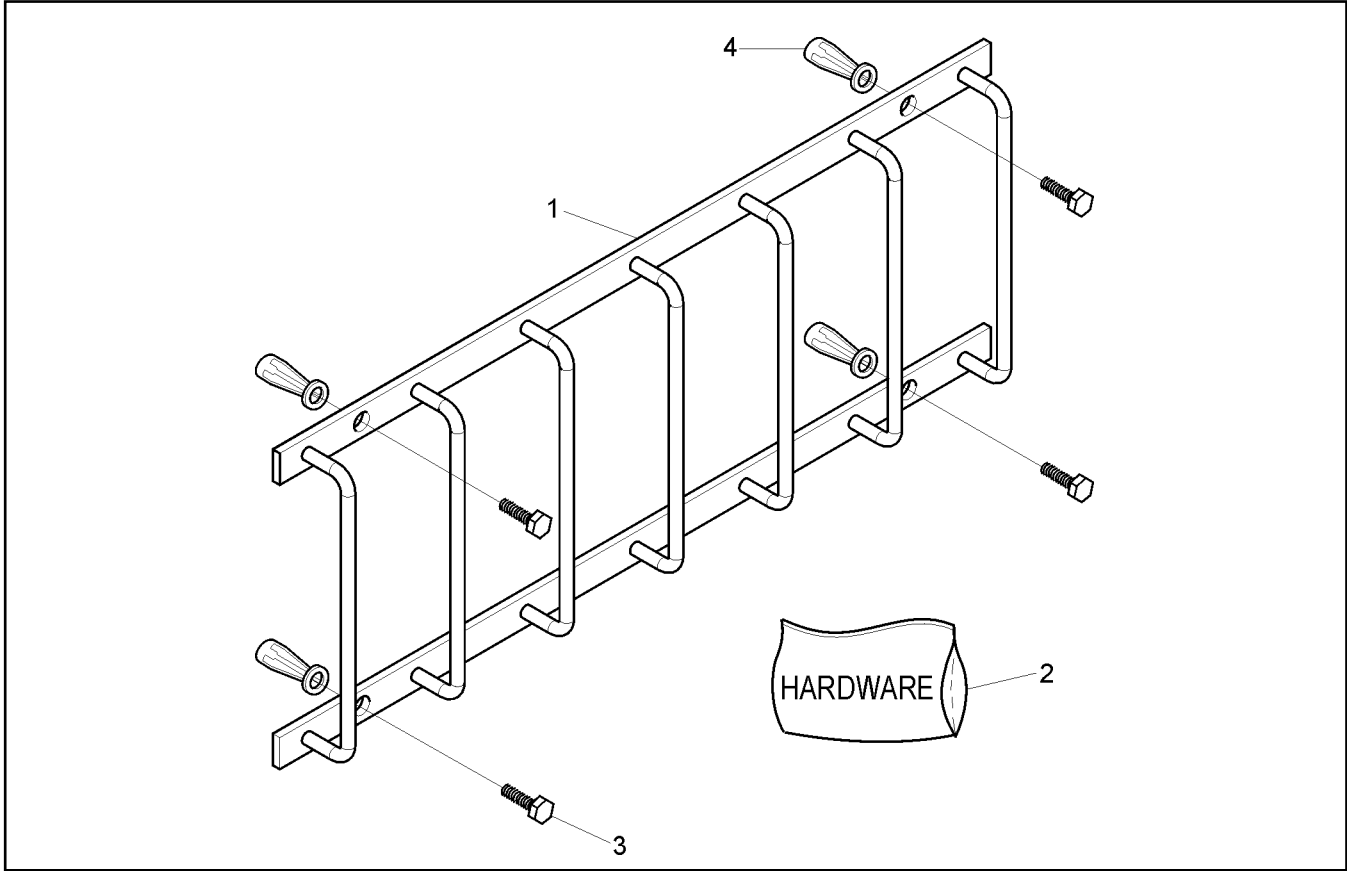
Ref.	Qty.	Part #	Description
1	18	108-08	Washer, 0.26x.62x.04"
2	18	112-97	HHCS, M6x1,0x25mm Zn
3	18	117-79	Insert, M6x1,0-10mm OD
4	1	849-117	Tube Assembly - L
5	1	849-118	Tube Assembly - R

### Shipping Weight and Dimensions

2 Pieces - 10 lbs.; 49" x 26" x 5"

# 849-134 Light Guard Assembly

# 18.0 Accessories



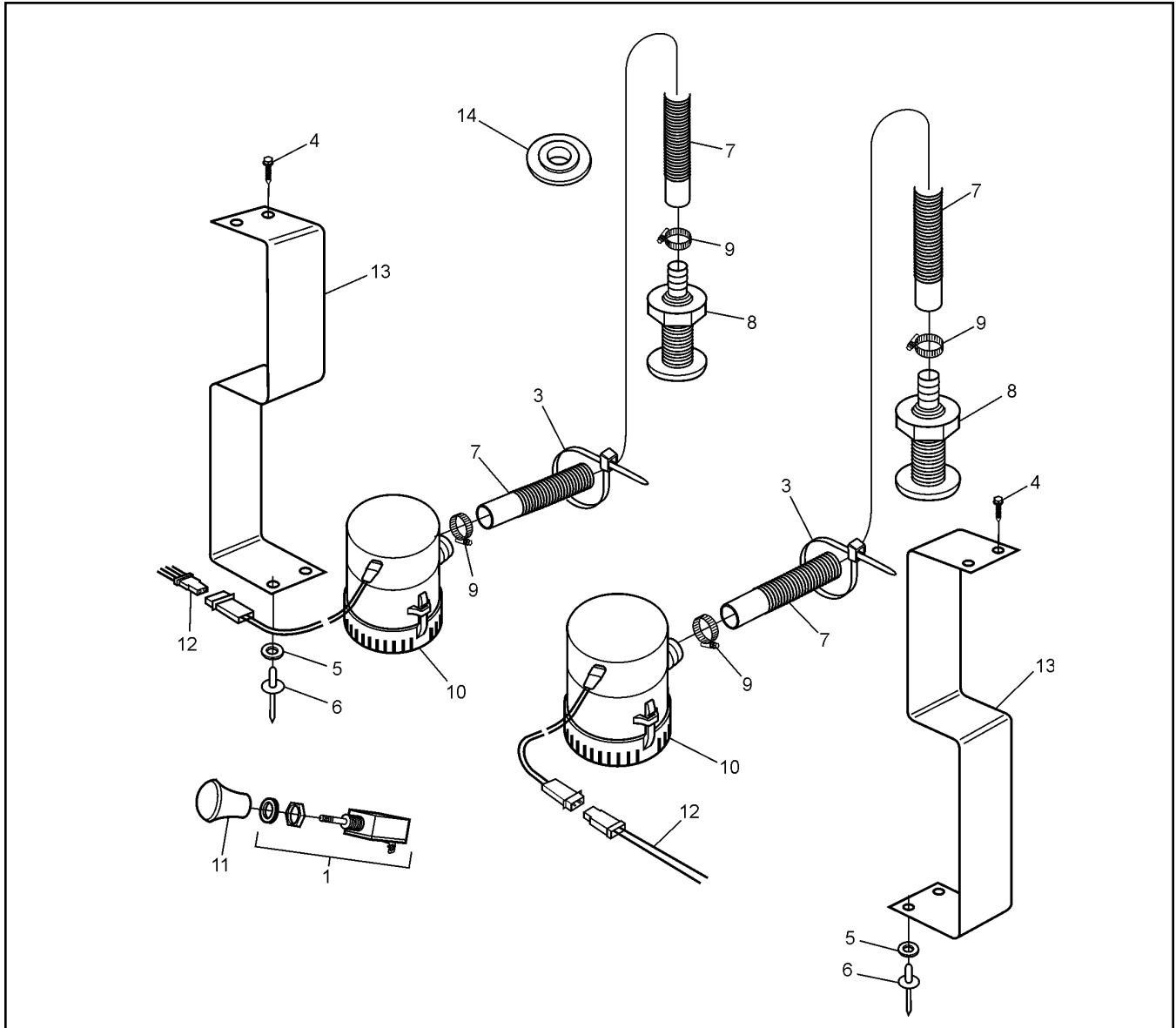
Ref.	Qty.	Part #	Description
1	2	849-135	Light Guard Weldment - Centaur
2	1	<b>849-134HDW</b>	<b>Hardware kit consisting of:</b>
3	8	103-08	HHCS 1/4-20 x 1.0 Zn
4	8	117-53	Nut, Jack 1/4-20 8L JNS Zn

### Shipping Weight and Dimensions

2 Pcs. - 12 lbs.; 13" x 5" x 1"

# 18.0 Accessories

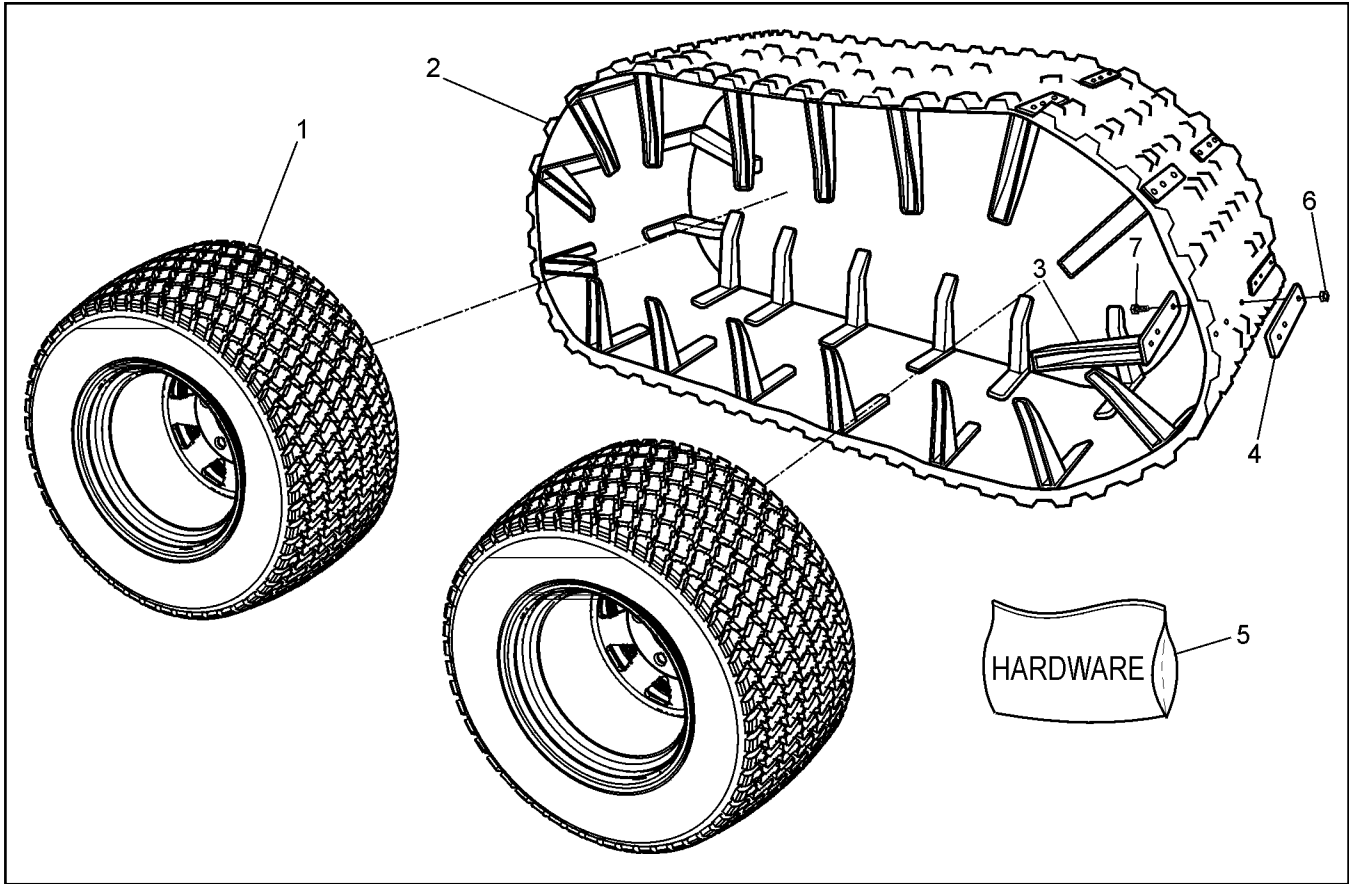
# 849-146 Bilge Pump Assembly



Ref.	Qty.	Part #	Description	Shipping Weight and Dimensions
1	1	100-62	Switch, Light	1 Box - 5 lbs.; 10" x 10" x 6"
2	15	100-64	Tie Wrap - 5.5"- Black	
3	4	100-102	Tie Wrap - 14" - White	
4	6	112-102	Screw, self drilling - 12-14 x 3/4"	
5	4	120-04	Washer, 3/16"	
6	4	120-13	Rivet, 3/16" x 3/4"	
7	2	638-05	Flex Hose, 3/4" x 3'	
8	2	638-08	Hull Fitting, 3/4"	
9	4	638-16	Gear Clamp	
10	2	638-18	Bilge Pump & wire ASM.	
11	1	638-26	Knob, Switch - Bilge pump Black	
12	1	849-145	Wire Harness	
13	2	849-144	Bracket, Bilge Pump	
14	1	28-0005	Grommet	

# 849-150 All Season Track Assembly

# 18.0 Accessories



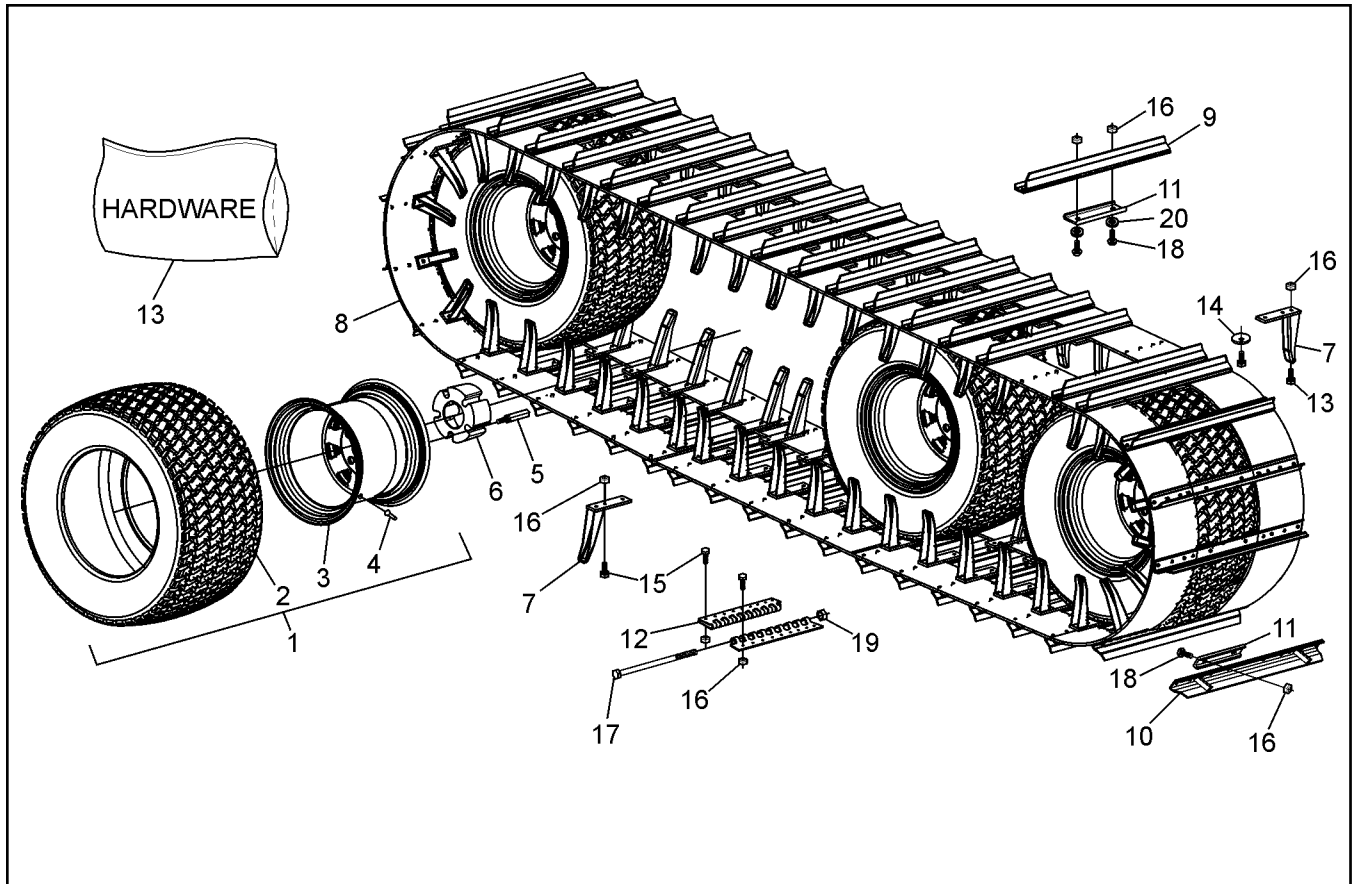
Ref.	Qty.	Part #	Description
1	8	127-115	Tire & Rim ASM - Multi Trac XT
2	4	849-151	Track, Rubber - Centaur Mud
3	140	849-153	Guide ASM - Tracks - Cent- Welded
4	140	849-156	Plate - Backing, Tracks-Cent
5	1	<b>849-150HDW</b>	<b>Hardware Kit, All Season Tracks Consists of:</b>
6	450	112-115	Locknut, Nylon M6X1 Zn
7	450	112-97	HHCS, M6 x 1 x 25mm Zn

### Shipping Weight and Dimensions

2 Boxes with all parts - 897 lbs.; 43" x 34" x 40"

# 18.0 Accessories

# 849-160 Snow Track Assembly



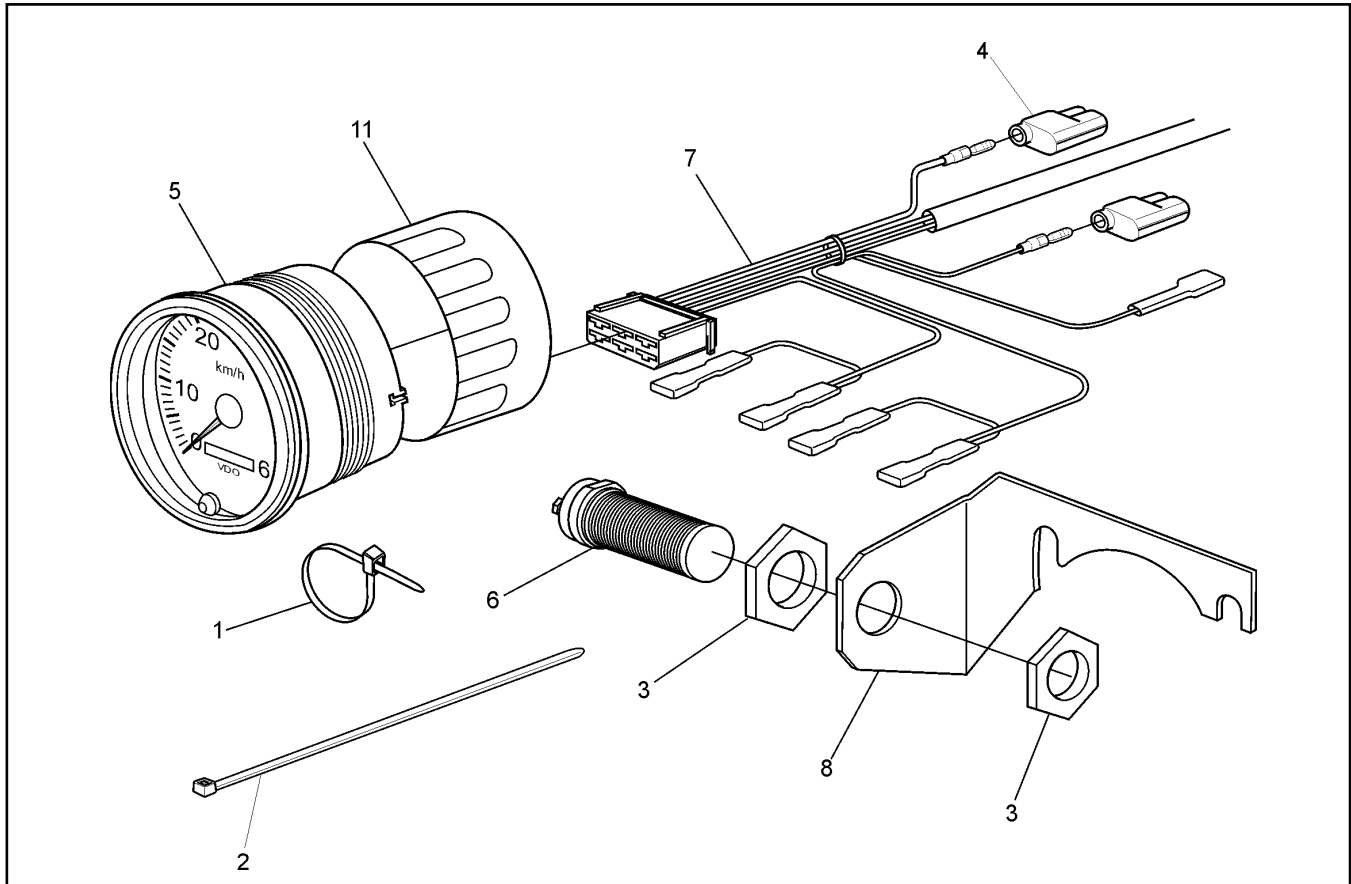
Ref.	Qty.	Part #	Description
1	8	127-115	Tire 7 Rim ASM- Multi Trac XT (includes 2,3 & 4)
2		127-114	Tire, Multi-Trac XT 24 x 12-12
3		127-113	Rim, 12 x 9.5 x 2.25 Offset - Black
4		125-26	Valve, Tire
5	40	127-103	Extension Stud, M12 x 1,25 Zn
6	8	605-77	Extension, Axle
7	196	849-158	Guide Asy – Tracks –Centaur -Welded
8	2	849-161	Belt, Centaur Snow Track 2-Per
9	45	849-162	Grouser, Snow Track
10	45	849-167	Grouser Asy, Snow Track
11	100	849-163	Lug, Traction
12	8	849-164	Hinge, Track Lacing
13	1	<b>849-160HDW</b>	<b>Hardware Kit Comprised of:</b>
14	380	108-73	Washer, Concave .27 x 1.12 x .07 Zn
15	810	112-97	HHCS, M6 x 1 x 25mm Zn
16	1000	112-115	Locknut, Nylon M6 x 1 Zn
17	4	112-138	HHCS 3/8-16 x 7.00 Gr 5 Zn
18	190	112-140	BHCS M6 x 1 x 25 Zn
19	4	117-29	Locknut, Nylon 3/8-16 Zn
20	190	108-08	Washer .28 x .62 x .07 Zn

### Shipping Weight and Dimensions

2 Boxes with all parts - 738 lbs.; 43" x 34" x 40"

# 849-165 Speedometer Assembly

# 18.0 Accessories



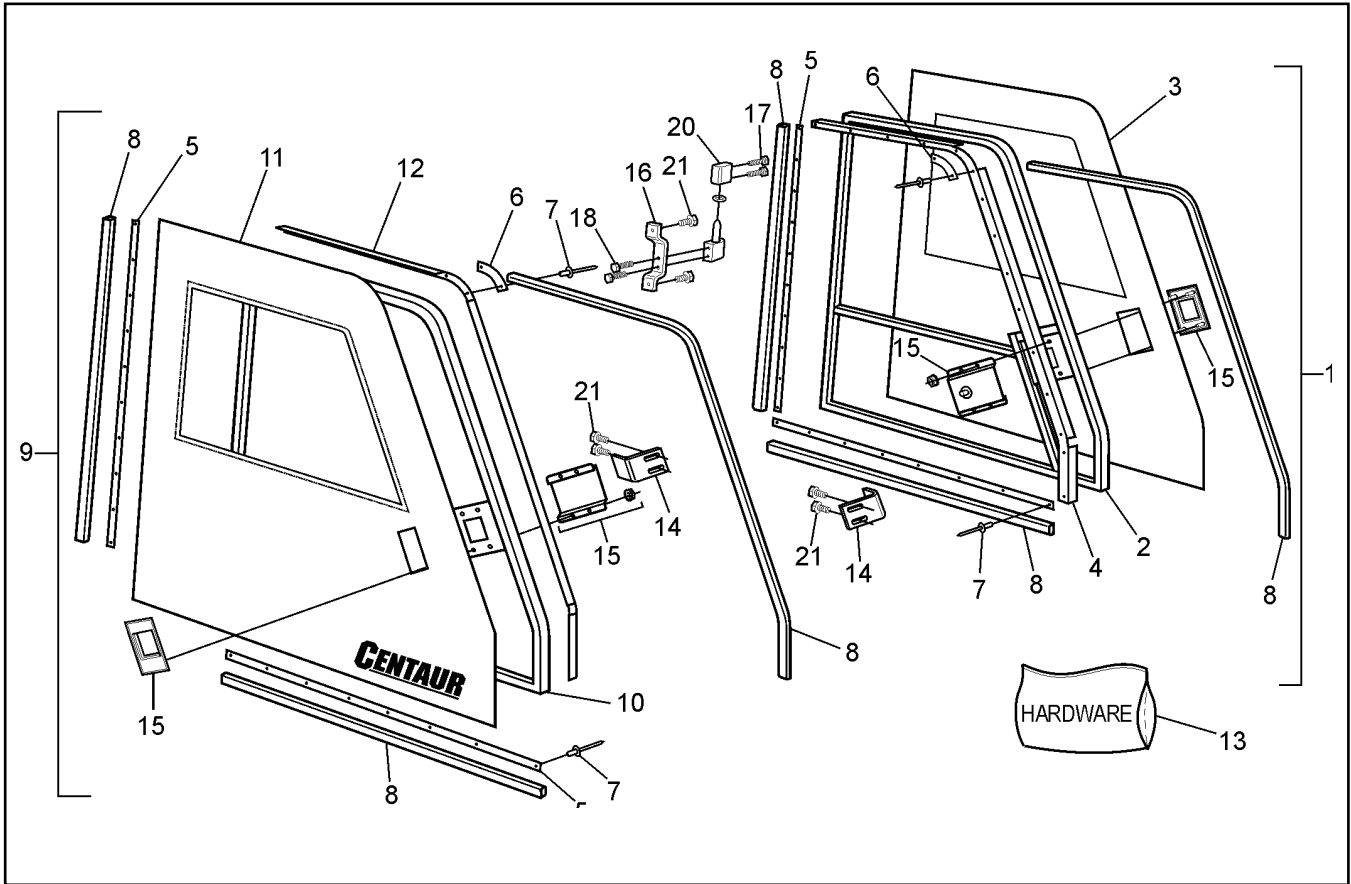
Ref.	Qty.	Part #	Description
1	3	100-64	Tie Wrap (Short)
2	2	100-102	Tie Wrap (Long)
3	1	117-80	Nut, Pal 3/4-16
4	2	118-04	Connector, T-Tap
5	1	119-100	Speedometer
6	1	119-101	Speed Sender Unit, Speedometer
7	1	613-104	Wire Harness, Speedometer - Centaur
8	1	849-166	Bracket, Speed Sender Unit
9	1	613-46	Terminal Insulator (2ga)
10	6"	127-124RM	Tubing, Convolute - 3/8" ID
11	1	119-108	Collar, Gauge Mounting Ring

**Shipping Weight and Dimensions**

1 Box - 2 lbs.; 10" x 10" x 7"

# 18.0 Accessories

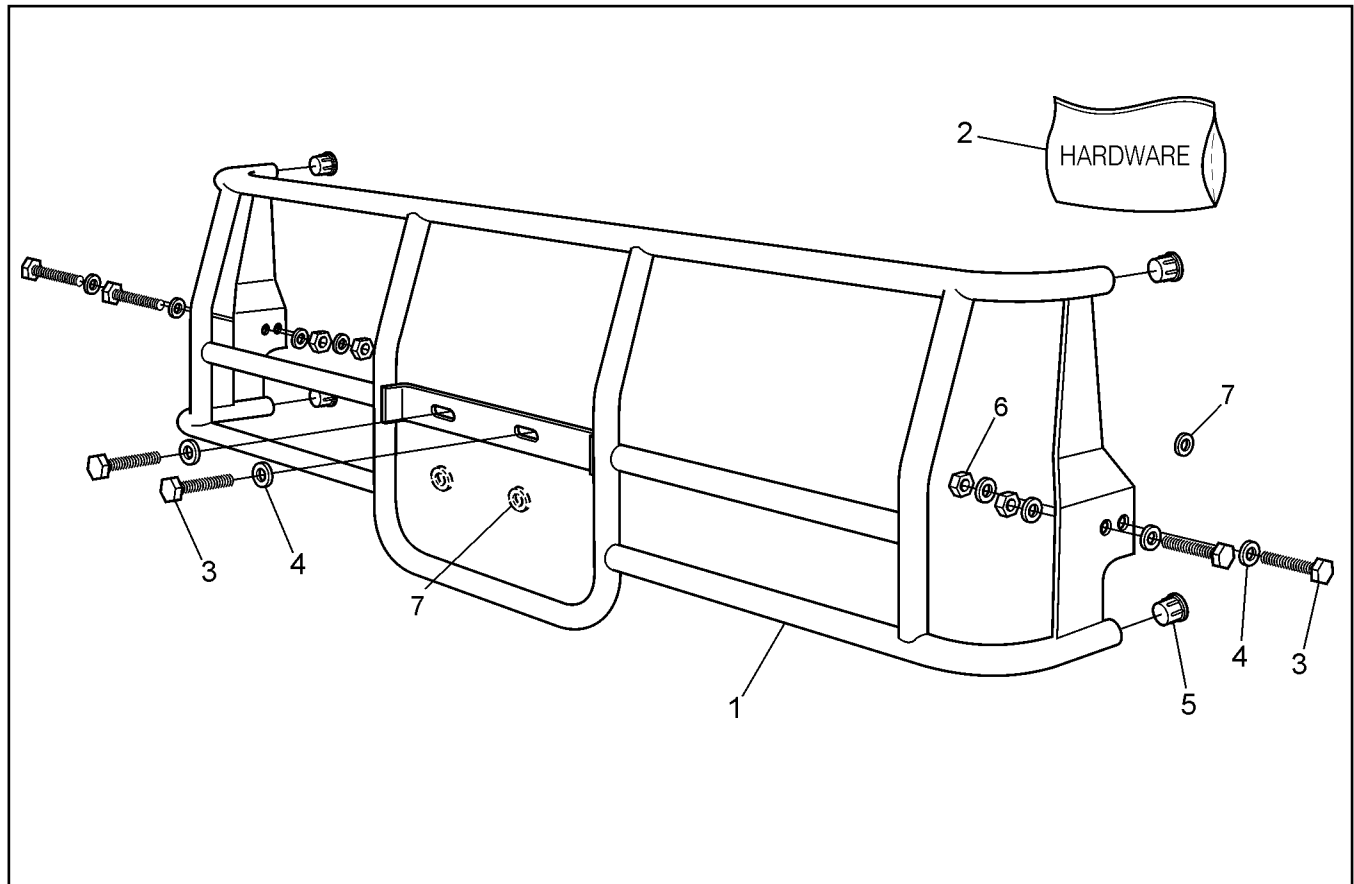
# 849-190 Fabric Door Assembly



Ref.	Qty.	Part #	Description	Shipping Weight and Dimensions
1	1	849-170	Door Asm, Centaur - Left (includes Refs. 2-8)	2 Pcs. - 38 lbs.; 42" x 42" x 2"
2	1	849-178	Frame Asm, Centaur - Left	
3	1	849-172	Fabric, Door - Left	
4	1	849-187	Angle, Fabric Mounting - Left	
5	4	849-188	Flat Bar, Fabric Mounting	
6	1	849-189	Bracket, Corner - Centaur Door	
7	39	120-13	Rivet, 3/16 x 3/4 Black	
8		849-176RM	Weatherseal, D-Strip	
9	1	849-171	Door Asm, Centaur - Right (includes Refs. 5-8, 10-12)	
10	1	849-179	Frame Asm, Centaur - Right	
11	1	849-173	Fabric, Door - Right	
12	1	849-180	Angle, Fabric Mounting - Right	
13	2	<b>849-190HDW</b>	<b>Hardware, Fabric Door - Centaur Consists of:</b>	
14	2	849-175	Plate, Door Catch	
15	2	849-174	Latch, Door - Centaur	
16	4	849-181	Bracket, Door Hinge Mounting	
17	8	112-135	HHCS, M5 x 0.8 x 25mm Zn	
18	8	112-95	HHCS, M5 x 0.8 x 10mm Zn	
20	4	127-116	Hinge, Metal Lift-off	
21	12	112-19	Screw, IHWH T/C Slot 1/4-20 x 1/2	

# 849-191 Brush Guard Assembly

# 18.0 Accessories



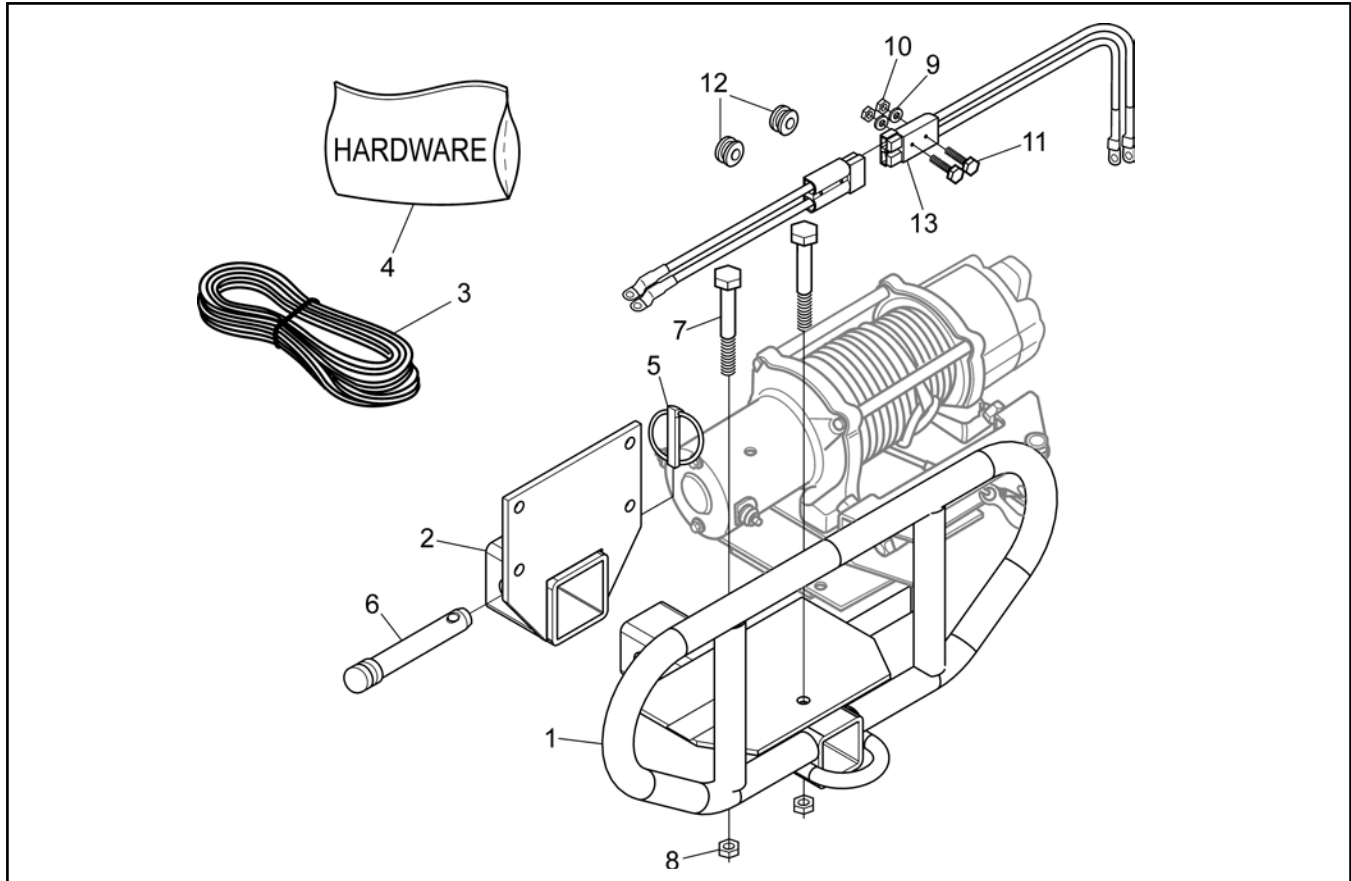
Ref.	Qty.	Part #	Description
1	1	849-192	Brush Guard Weldment - Centaur
2	1	849-191HDW	Hardware Kit comprised of:
3	6	112-133	HHCS M10x1,5 x 35mm Zn - 8.8
4	10	108-15	Washer .42 x .81 x .05 Zn
5	4	127-155	Plug, Black Plastic
6	4	117-60	Locknut, Nyloc M10 x 1.5mm Zn 8
7	6	108-47	Washer .39 x .94 x .13 Zn Di-Chro

### Shipping Weight and Dimensions

1 Piece - 12 lbs.; 54" x 12" x 7"



## 18.0 Accessories 849-223 Receiver Winch Bracket Assembly



Ref.	Qty.	Part #	Description
1	1	849-124	Winch Guard Weldment
2	1	849-130	Hitch Front
3	1	622-116	Wire Harness, Receiver Winch - Warn
4	1	<b>849-123HDW</b>	<b>Hardware kit consisting of:</b>
5	1	104-11	Pin Lynch - Ring
6	1	104-13	Pin, Toplink - 3/4 x 2.75
7	2	112-120	HHCS, M10 x 1.5 x 80mm Zn
8	2	117-60	Locknut, Nyloc M10 x 1.5mm Zn
9	2	108-15	Washer .42 x .81 x .05 Zn
10	4	117-78	Locknut, Nylon M3x 0.5" Zn
11	4	112-126	HHCS M3x0,5x30 CL 8.8 Zn
12	2	125-84	Grommet, Rubber
13	2	810-107	Connector, Two Wire - 6 Gauge
14	3	120-09	Rivet - 3/16 X 1.0 Black

### Shipping Weight and Dimensions

1 Box - 18 lbs.; 21" x 10" x 10"



Centaur Products Manufactured by:

**Ontario Drive & Gear Limited**

220 Bergey Court

New Hamburg, Ontario

CANADA N3A 2J5

[www.centaur8x8.ca](http://www.centaur8x8.ca)

**ODG** Dedicated to quality and performance.

Distributed By:

